

# INSTALLATION INSTRUCTION

## NEUTRAL ASSEMBLY KITS

### NL11, NL12, NL22, & NL24




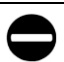



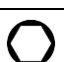
*This kit should be installed by a qualified competent person in accordance with all relevant legislation and regulations including building regulations and wiring regulations BS7671. If in doubt contact a qualified competent person.*

- Turn off all power supplying this equipment before working on or inside the equipment.
- Always use a properly rated volt-sensing device to confirm the power is off.
- Replace all devices, doors and covers before turning on the power to this equipment.
- To avoid ingress of swarf and similar material, always remove gland plates to allow cutting/slotting for cable entries.

**Failure to follow these instructions could result in serious injury or death.**

#### **DO NOT USE POWER TOOL SCREWDRIVERS ON ELECTRICAL CONNECTIONS**

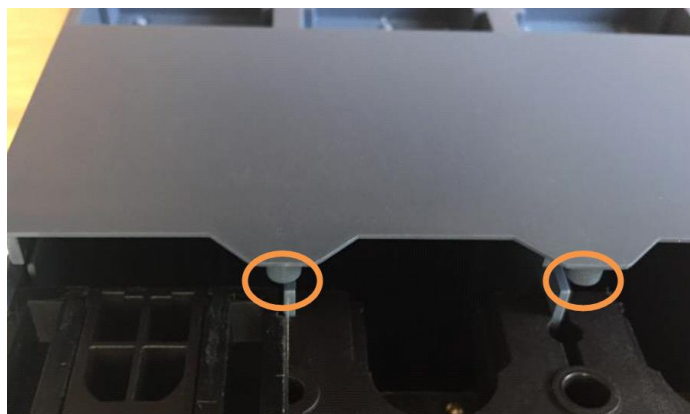
#### **Necessary tools**

Description	NL11 (160A)	NL12 (250A)	NL22 (250A)	NL24 (630A)
 Hexagon key/socket 5mm	✓	✓		
 Hexagon key/socket 8mm			✓	
 Hexagon key/socket 10mm				✓
 Slotted Screwdriver 5mm	✓	✓	✓	✓
 Socket Wrench 3/8in	✓	✓	✓	✓
 Socket M5	✓			
 Socket M6		✓	✓	✓
 Socket M8				✓

#### **Fitting Instruction**

Remove the door and front plate from the main panel board. Remove the shroud and interphase from the incoming mounting plate. Assemble the Neutral Assembly Kit by referring to the assembly details.

Before assembling the neutral links check the terminal covers to ensure they fit correctly, If you are using NL12, NL22, & NL24 you will need to remove the pips from the terminal cover please see the image below in Fig. 1 for details.



**Fig. 1**

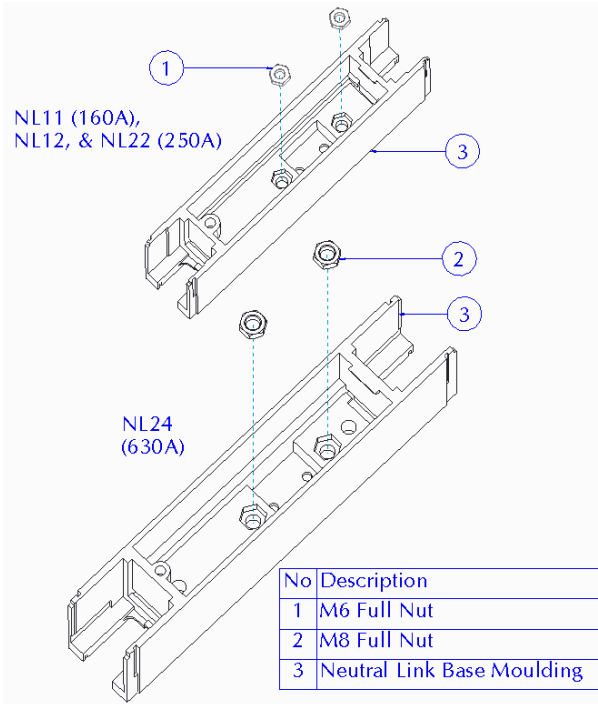
# INSTALLATION INSTRUCTION

## NEUTRAL ASSEMBLY KITS

### NL11, NL12, NL22, & NL24

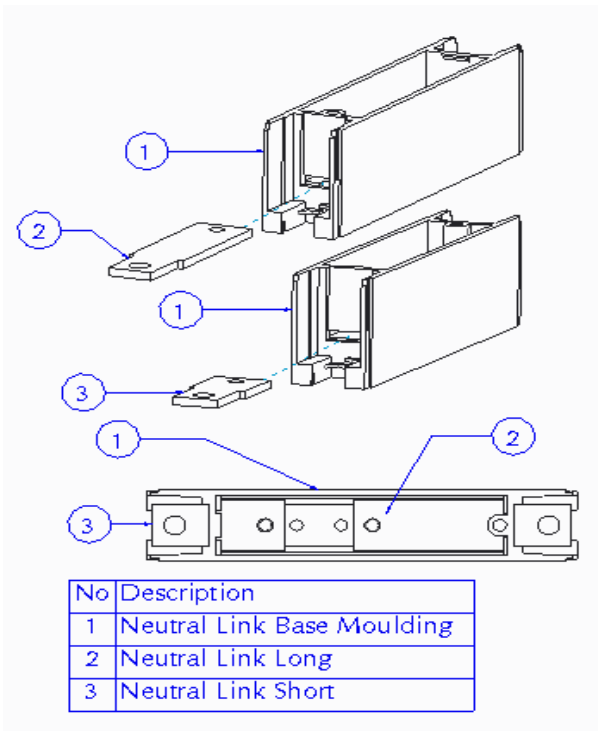
#### Assembly Details

Place the nuts into the base on the neutral assembly shown in Fig. 2.



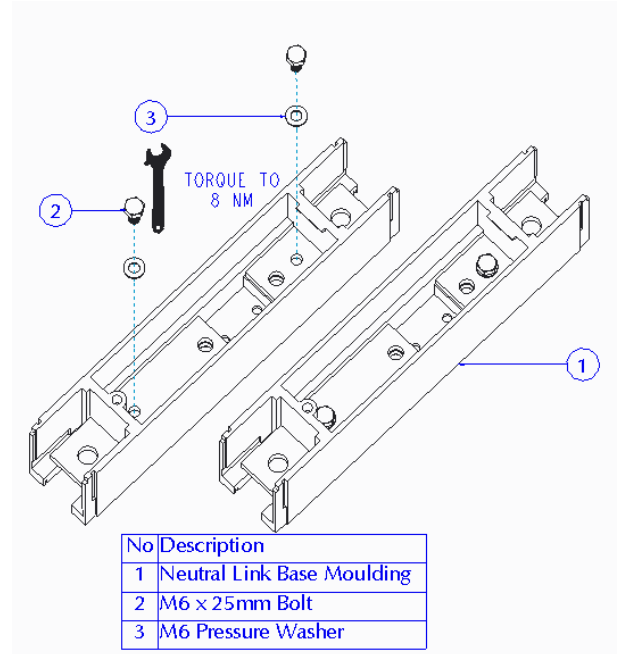
**Fig. 2**

When the nuts are in place start to insert the short and long neutral links, refer to Fig. 3 for details.



**Fig. 3**

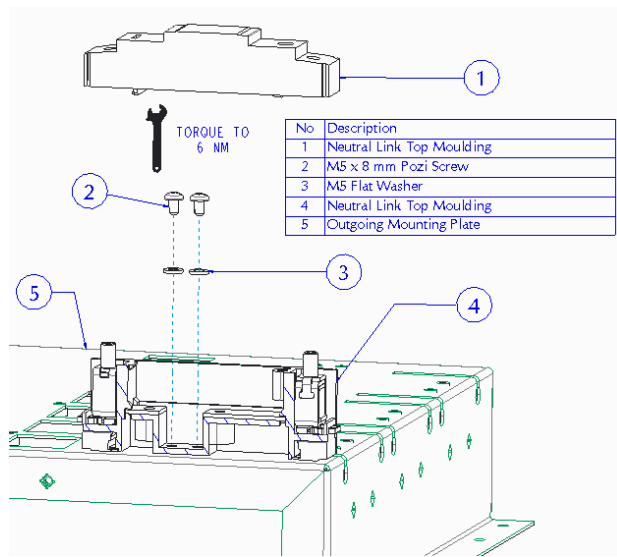
For the largest of neutral kit range (NL24), the following bolts and pressure washers will need to be added. Refer to Fig. 4 for details.



**Fig. 4**

Before assembling the remaining parts, attach the base to the mounting plate first by referring to Fig. 5 A & B.

Below shows what to use when mounting onto the outgoing plate.



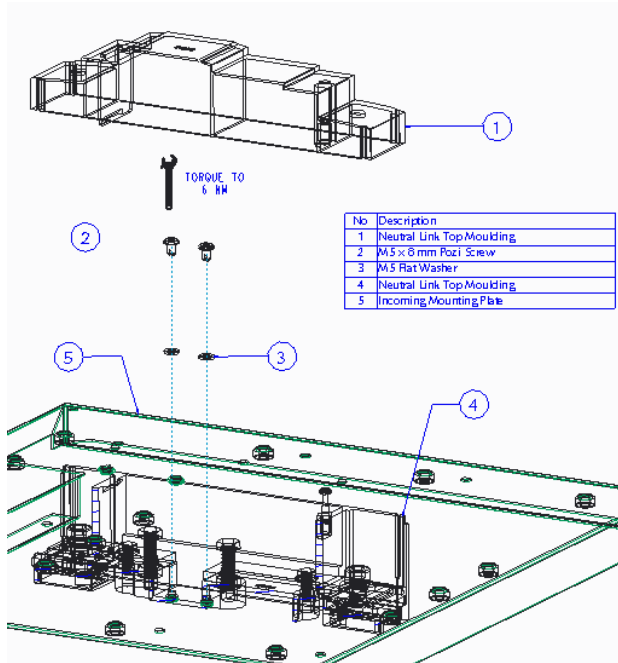
**Fig. 5 A**

# INSTALLATION INSTRUCTION

## NEUTRAL ASSEMBLY KITS

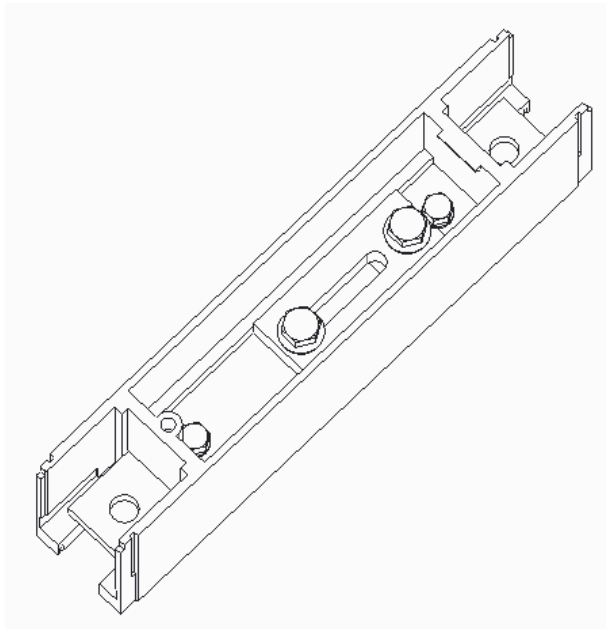
### NL11, NL12, NL22, & NL24

Below shows what to use when mounting onto the incoming plate.

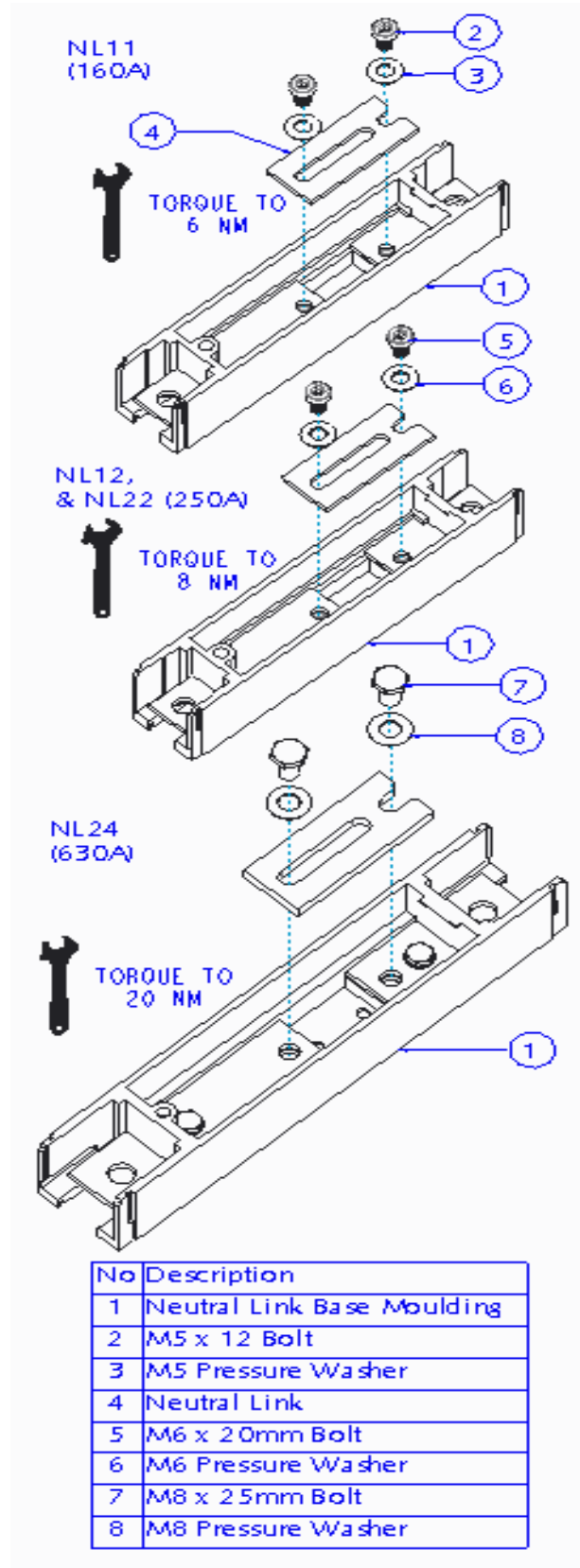


**Fig. 5 B**

Next add the neutral link by referring to Fig. 6 A & B for assembly details.



**Fig. 6 A**



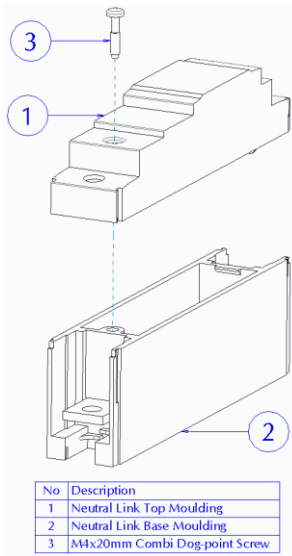
**Fig. 6 B**

# INSTALLATION INSTRUCTION

## NEUTRAL ASSEMBLY KITS

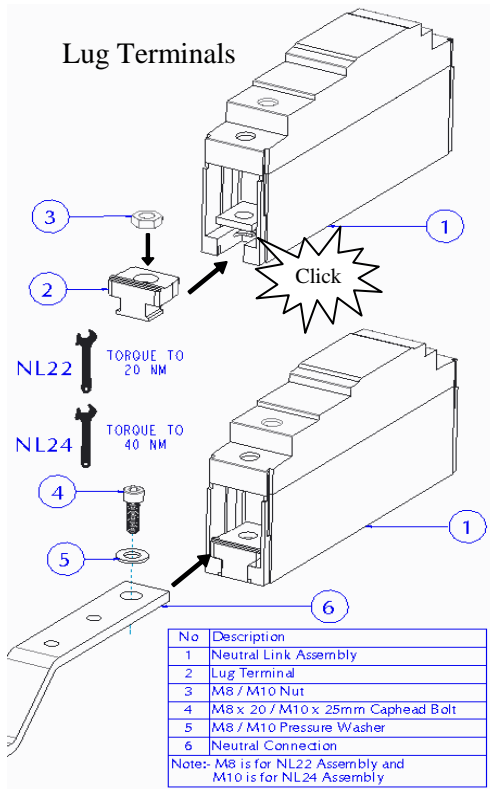
### NL11, NL12, NL22, & NL24

Place the Top neutral moulding onto the base and screw down with the screw provided. Refer to Fig. 7 for details.

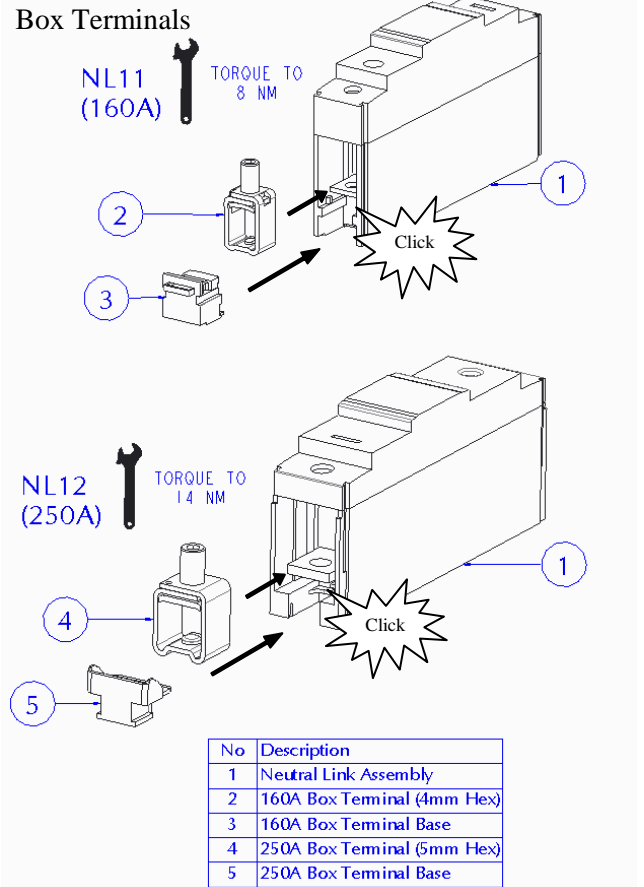


**Fig. 7**

Next install the lug or box terminals by referring to fig 8 A & B for details.



**Fig. 8 A**



**Fig. 8 B**

For an overall assembly refer to Fig. 9 on the next page.

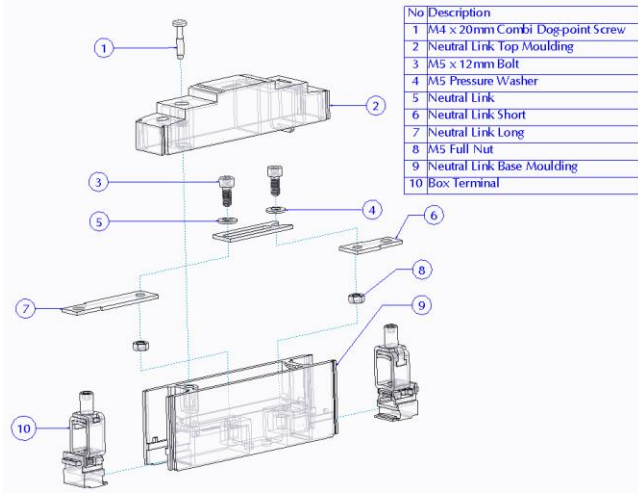
# INSTALLATION INSTRUCTION

## NEUTRAL ASSEMBLY KITS

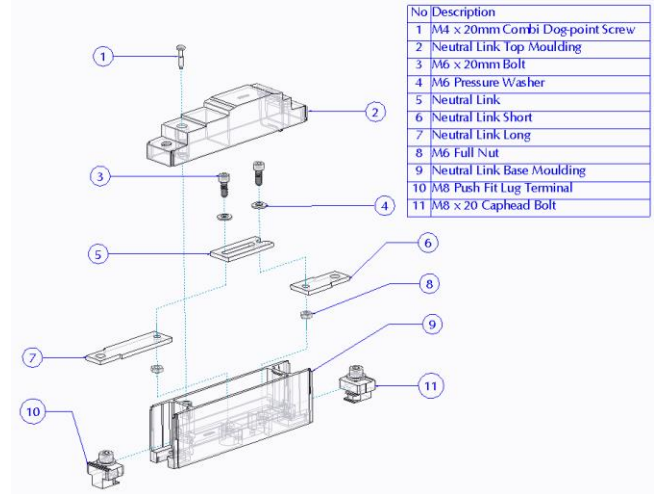
### NL11, NL12, NL22, & NL24

**Fig. 9**

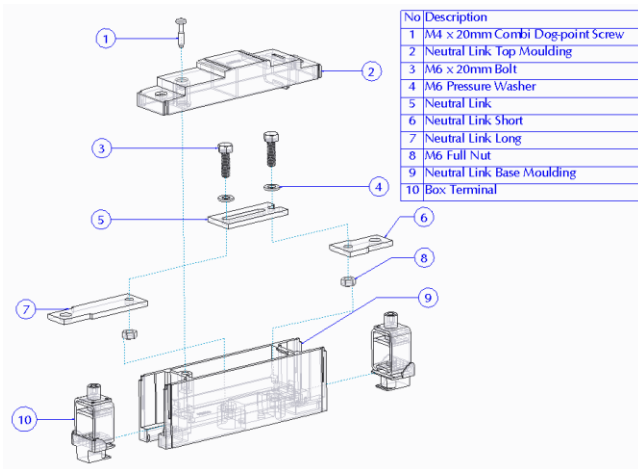
NL11 Neutral Link (160A)



NL22 Neutral Link (250A)



NL12 Neutral Link (250A)



NL24 Neutral Link (630A)

