



IMPORTANT INFORMATION

This unit should be installed by a qualified competent person in accordance with all relevant legislation and regulations including building regulations and wiring regulations BS7671. If in doubt contact a qualified competent person.

- Turn off all power supplying this equipment before working on or inside the equipment.
- Always use a properly rated volt-sensing device to confirm the power is off.
- Replace all devices, doors and covers before turning on the power to this equipment.
- To avoid ingress of swarf and similar material, always remove gland plates to allow cutting/slotting for cable entries.

Failure to follow these instructions could result in serious injury or death.

- Remove the gland plates from the bottom of the distribution board.
- Fit the unit below the MCB distribution board units using the M5 x 16 bolts supplied using the holes in the rear flange.
- Fit the cross strap supplied to the inside of the distribution board and bolt through both boxes and strap to secure the front of the units (see diagram b on reverse).
- Connect the incoming cables using the wiring diagram below and the instruction leaflet supplied with the distribution board.
Ensure connection phase rotation is correct.
- Power supply cables. Connect the meter power supply cables into the balcony terminals on the **load** side of the incoming device (see diagram c on reverse). Tighten to torque specified with the device.
- Fully tighten terminal cages and cable clamps to torque as recommended in the distribution board instruction leaflet.
- Refer to meter instructions to set up meter. (Note meter CT ratio pre-set to 125/5A or 250/5A as appropriate)
- **NOTE! Parts of the installation in which the meter kit is to be installed may remain live even when isolated. When working on unit FULLY open all meter fuses.**

Affix supplied fuse warning labels in a clearly visible area in the following places 1) beneath or next to meter fuses and 2) beneath or next to isolator on front shield.

Before fitting the front cover, check the tightness of **all** connections, including factory made connections.

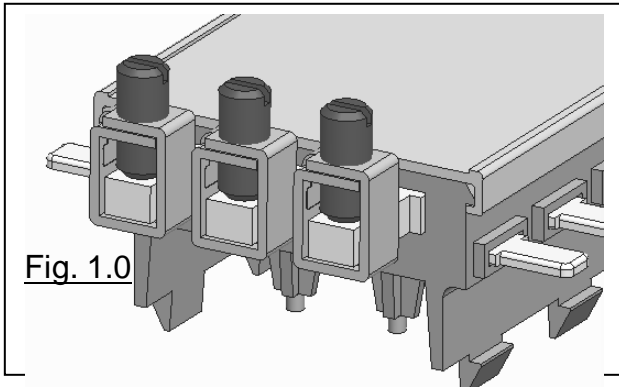


Fig. 1.0

Both STD and MID power wiring will be terminated at the top busbar using terminal cages provided

- Using **18LKD70** cable kit terminal cages, from the top of the busbar, connect the Voltage loom to the bottom of protection fuses. See fig 1.0
- Fully tighten terminal cages and cable clamps to torque recommended in the distribution board instruction leaflet.
- Remove the appropriate knockout(s) in the cableway front plate and refit to box

- **NOTE! Parts of the installation in which the meter kit is to be installed may remain live even when isolated. When working on unit FULLY open all meter fuses.**

Affix supplied fuse warning labels in a clearly visible area in the following places 1) beneath or next to meter fuses and 2) beneath or next to isolator on front shield.

DO NOT USE POWER TOOL SCREWDRIVERS ON ELECTRICAL CONNECTIONS

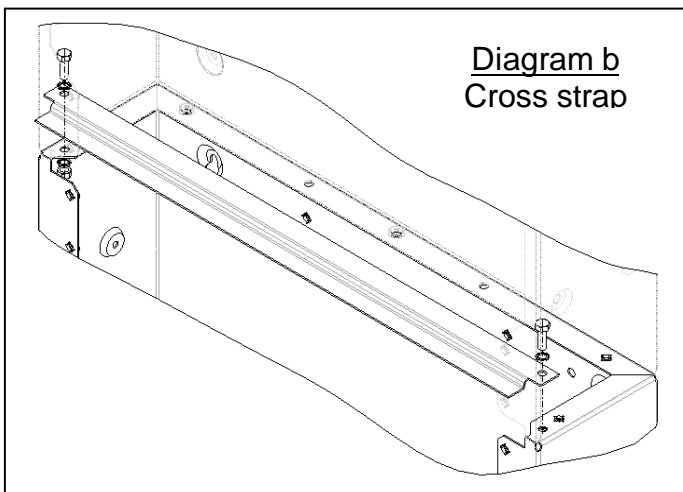


Diagram b
Cross strap





Standard Meter Kit wiring

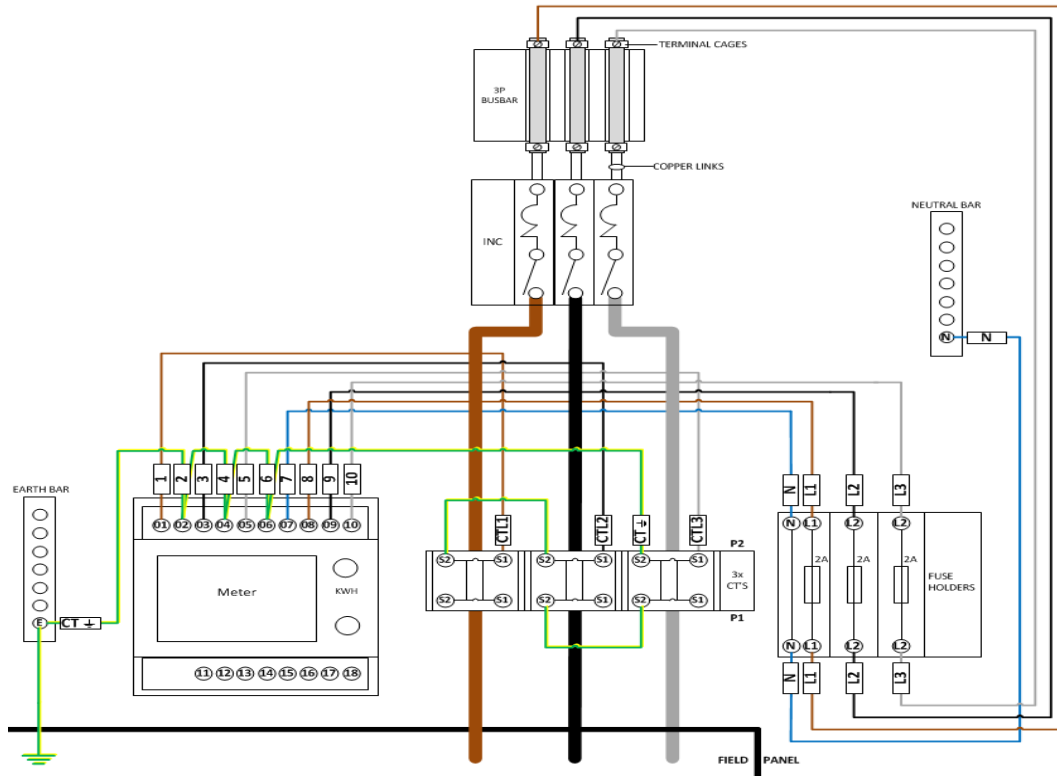


Fig. 3

MID Meter Kit wiring

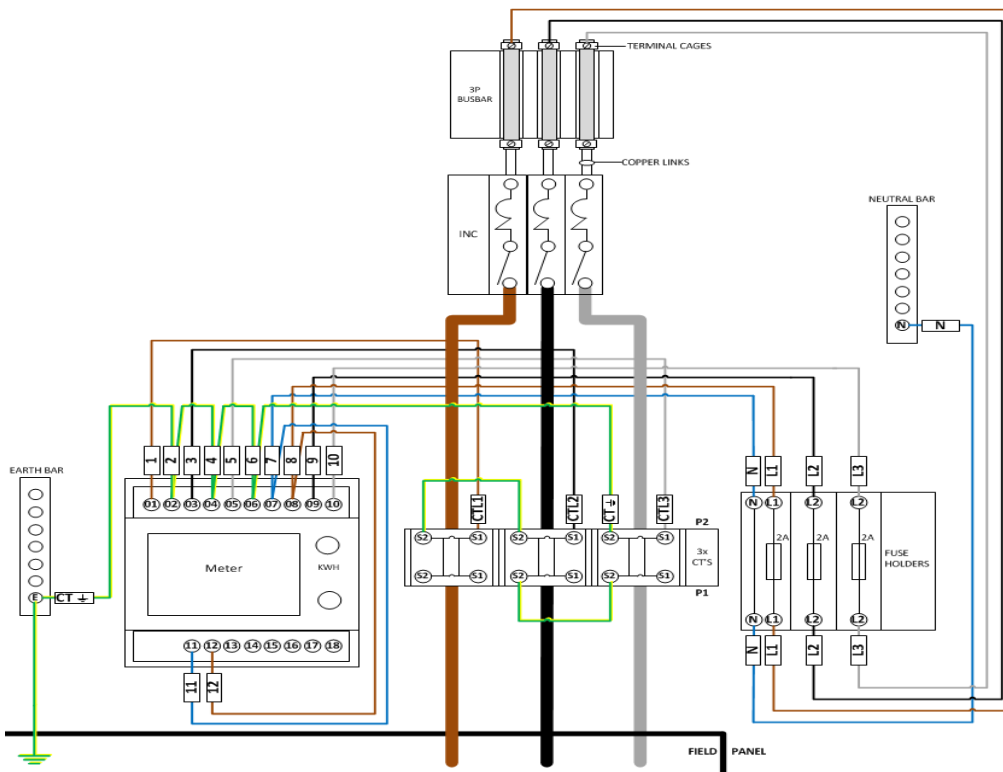


Fig. 4