



IMPORTANT INFORMATION

This unit should be installed by a qualified competent person in accordance with all relevant legislation and regulations including building regulations and wiring regulations BS7671. If in doubt contact a qualified competent person.

- Turn off all power supplying this equipment before working on or inside the equipment.
- Always use a properly rated volt-sensing device to confirm the power is off.
- Replace all devices, doors and covers before turning on the power to this equipment.
- To avoid ingress of swarf and similar material, always remove gland plates to allow cutting/slotting for cable entries.

Failure to follow these instructions could result in serious injury or death.

NOTE:- Max. aperture of CT is 40mm diameter. Ensure incoming cable will pass through before continuing.

- Remove the incomer front plate and the gland plate from the bottom of the distribution board.
- Remove cover from supplied spreader box. Screw fix spreader box to wall and attach to bottom of distribution board using 4 x nut and bolt provided - NOTE – contact washers **must** be used, 2 per fixing point, see Fig.1.2. Anti gap joining shield to be used between spreader box and distribution board. Fit spreader box **BEFORE** installing CT, meter and fuse baseplates. See Fig 1.1
- Screw fix CT baseplate, meter baseplate and fuse DIN rail to distribution board as shown in Fig 1.3.
- Observe correct primary polarity of CTs (P1 –Supply to CT, P2 Load from CT) – see Fig 1.3

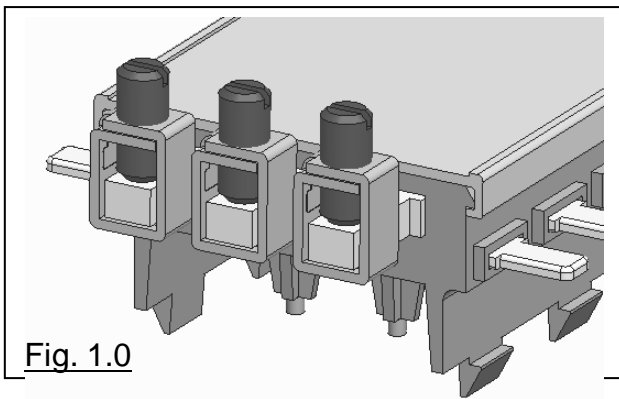


Fig. 1.0

Both STD and MID power wiring will be terminated at the top busbar using terminal cages provided

- Connect supplied cable looms as shown in Fig 1.3 (Diagram shows loom references).
- Using **18LDK70** cable kit terminal cages, from the top of the busbar, connect the Voltage loom to the bottom of protection fuses. See fig 1.0
- Fully tighten terminal cages and cable clamps to torque recommended in the distribution board instruction leaflet.
- Remove the appropriate knockout(s) in the cableway front plate and refit to box

- **NOTE!** Parts of the installation in which the meter kit is to be installed may remain live even when isolated. When working on unit **FULLY** open all meter fuses.

Affix supplied fuse warning labels in a clearly visible area in the following places 1) beneath or next to meter fuses and 2) beneath or next to isolator on front shield.

DO NOT USE POWER TOOL SCREWDRIVERS ON ELECTRICAL CONNECTIONS

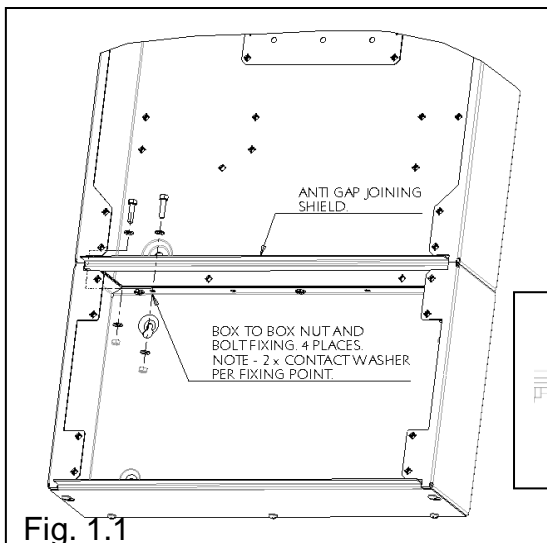


Fig. 1.1

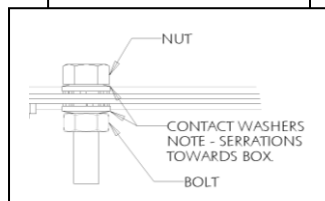


Fig. 1.2

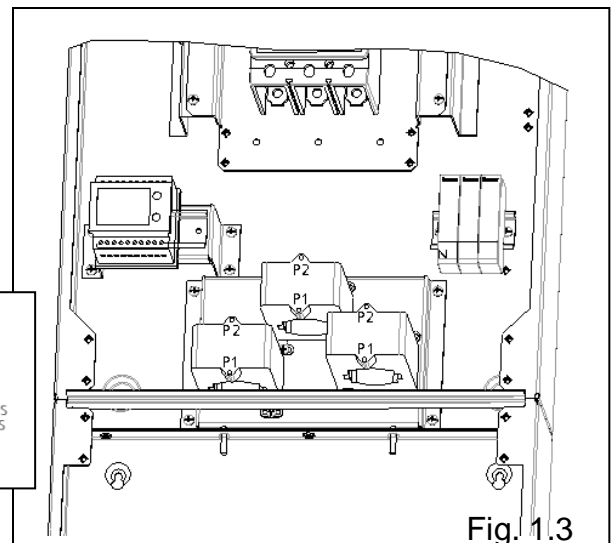


Fig. 1.3





- Before fitting the front cover, check the tightness of **all** connections, including factory made connections.
- Re-fit distribution board cover and spreader box cover.
- Refer to meter instructions to set up meter. Please note the CT ratio on the MID meter supplied is factory set to 50 to match the 250/5A CTs also supplied with this meter kit.

