



IMPORTANT INFORMATION

This unit should be installed by a qualified competent person in accordance with all relevant legislation and regulations including building regulations and wiring regulations BS7671. If in doubt contact a qualified competent person.

- Turn off all power supplying this equipment before working on or inside the equipment.
- Always use a properly rated volt-sensing device to confirm the power is off.
- Replace all devices, doors and covers before turning on the power to this equipment.
- To avoid ingress of swarf and similar material, always remove gland plates to allow cutting/slotting for cable entries.

Failure to follow these instructions could result in serious injury or death.

DO NOT USE POWER TOOL SCREWDRIVERS ON ELECTRICAL CONNECTIONS



Important Information

This unit must be installed by a qualified competent person in accordance with all relevant legislation and regulations including building regulations and wiring regulations BS7671. If in doubt contact a qualified competent person.

The total current supplied by the unit must not exceed the rating of the incoming main switch

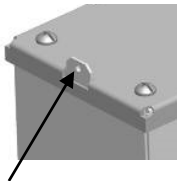
1. Enclosure Mounting.

Fix enclosure to wall using screws.

2. Route all incoming and outgoing cables.

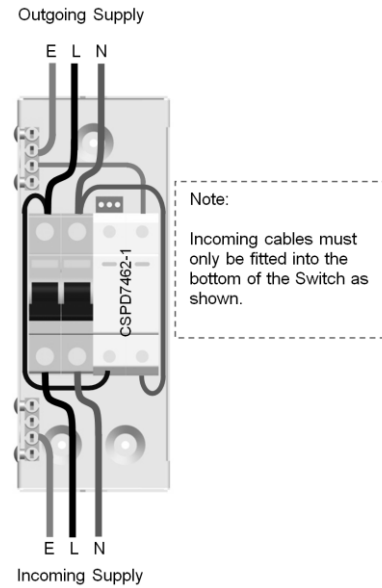
Enclosure is to be drilled for cable entry.

3. To prevent removal of front cover.



Insert wire through the bracket holes

4. Circuit Diagram.



5. Check the tightness of all screw connections, including factory made connections.

(See table for recommendations)

Device	Max. Cable Capacity	Recommended tightening torque
Main Switch / RCD	50 mm ²	2.3 Nm
CSPD7462-1	35mm ²	4.5Nm (39.5 lbf-in)
Earth & neutral terminals	16 mm ²	1.7 Nm

Use No.2 Pozidrive bit.

6. Testing of the installation.

After completion it is essential that the installation is tested in accordance with the IET Wiring Regulations (BS7671). It is important that this includes verification that the earth loop impedance requirements are satisfied.

Before any testing the removable modules of both L-N & N-PE Surge Arresters must be removed. Once testing is complete the modules must be re-fitted.

