

RCBO

Type:ELE

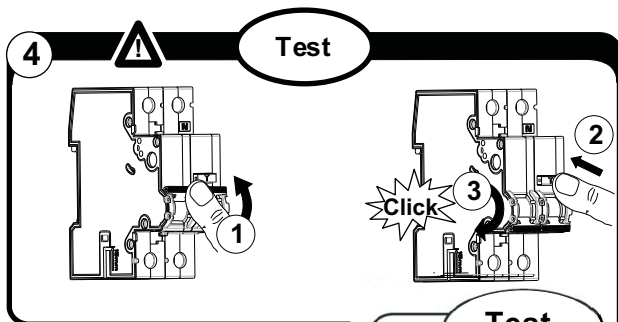
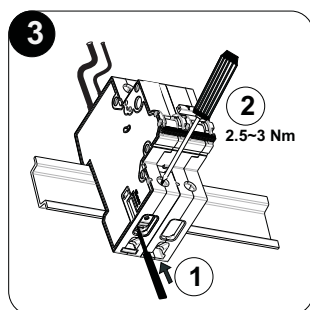
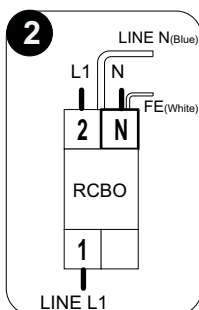
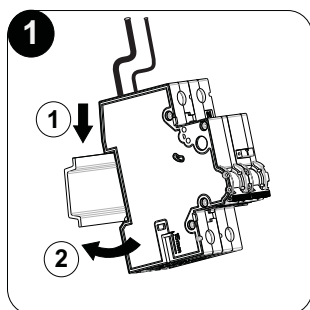
Assembly instructions

 Type A

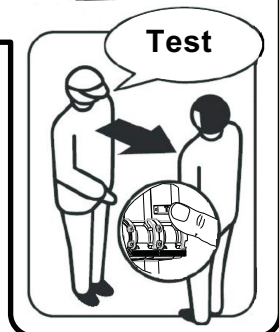
IEC 61009-1

GB Installation advice

Installation, connection, and commissioning shall only be carried out by qualified competent person.



Test in line with BS7671
IEE Wiring Regulations.



Electrium Sales Limited

Walkmill Lane, Cannock, WS11 OXE, England.

Tel: 01543 455000

Fax: 01543 455001