

1. 250A 3P+N MCCB
2. 250A 3P+N Switch Disconnecter

INSTALLATION INSTRUCTIONS

CATALOGUE No:

1. 8GP1601-4DA40
2. 8GP1600-4DA40

BS EN 61439-3
IEC 61439-3
BS EN 60947-2

Technical Support

Tel: 0845 850 7600

Email: service.gbi.industry@siemens.com

GENERAL WARNINGS



DANGER: LIVE PARTS ENCLOSED. Ensure the unit is installed by a qualified competent person in accordance with all relevant legislation and regulations including building regulations and wiring regulations BS7671. If in doubt, contact a qualified competent person.



IMPORTANT INFORMATION

Follow the instructions below before working on or inside the equipment.

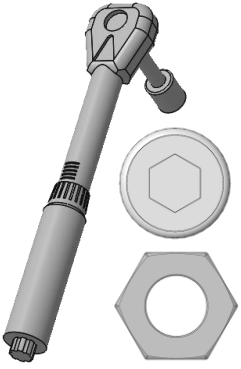
- Turn off all power supplies
- Always use a calibrated volt-sensing device to confirm the power is off.
- Replace all devices, doors and covers before turning on the power to this equipment.
- To avoid ingress of swarf and similar material, always remove gland plates to allow cutting/slotting for cable entries.
- Do not use power screwdrivers on electrical connections.



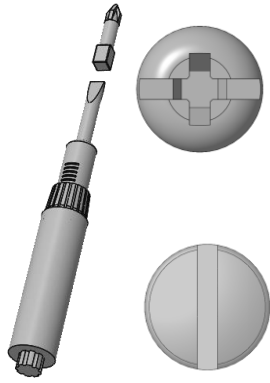
Failure to follow these instructions could result in serious injury or death.



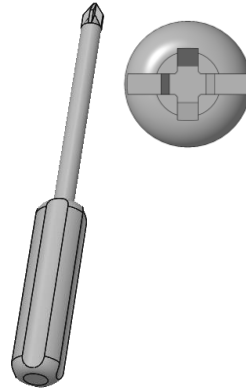
Required Tools



Torque Wrench, M8, M6



Torque Screwdriver

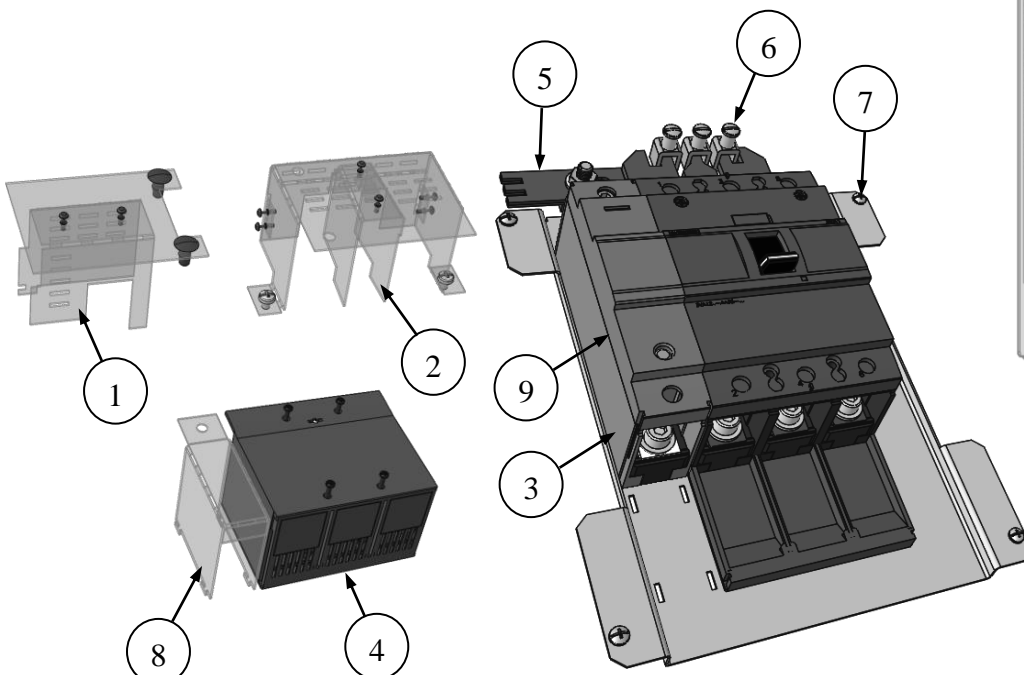
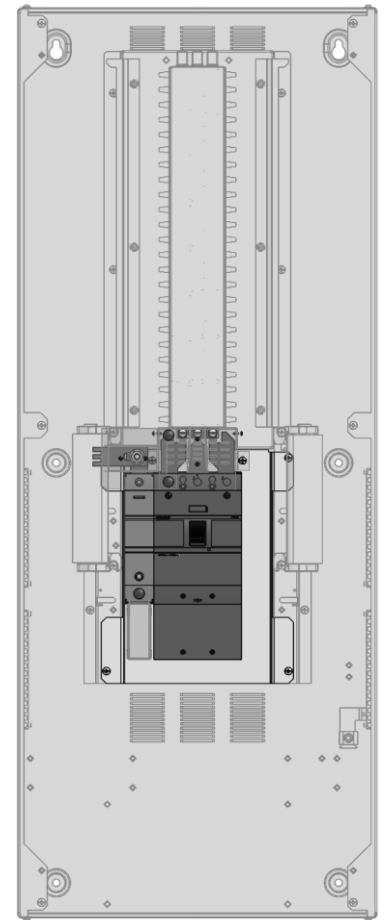


Pozi Screwdriver

Content

No.	Description	QTY
1	Neutral Shroud A	1
2	Phase Shroud	1
3	MCCB / Switch-disconnector assembly	1
4	MCCB / Switch-disconnector Shroud	1
5	Neutral "T" Connector	1
6	Phase Terminal Block	3
7	M5 10 mm Screw	6
8	Neutral Shroud B	1
9	Neutral Mouldng Cover	1

TABLE 1



SIEMENS

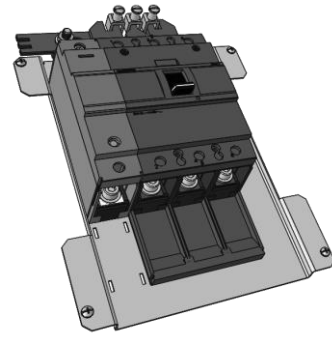
Electrium Sales Limited, Walkmill Lane, Cannock, WS11 0XE
Tel: 01543 455000 Fax: 01543 455001



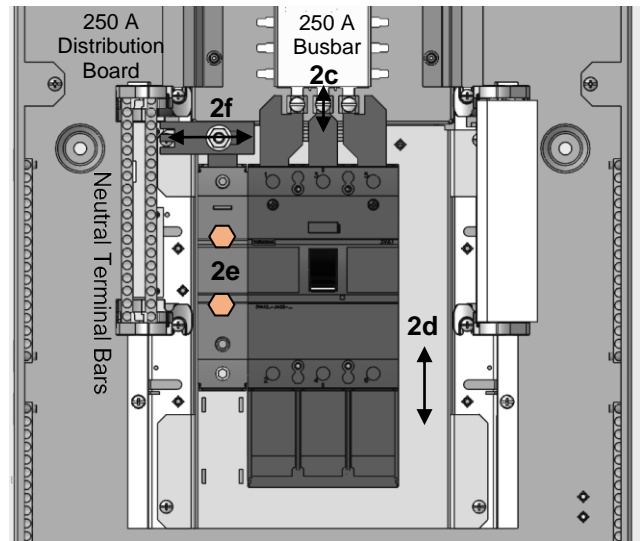
Waste electrical products should not be disposed of with household waste.
Please recycle where waste disposal facilities exist.
Check with your retailer, wholesaler or local authority for recycling advice.



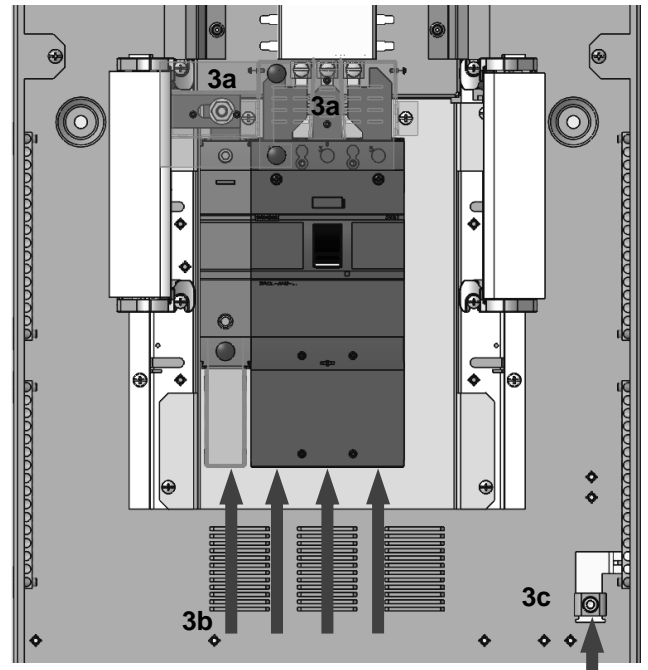
- 1
 - a) Remove the Neutral Shrouds A and B (1)(8)
 - b) Unscrew the Phase Shroud and remove it (2)
 - c) Unscrew the MCCB / Switch-disconnector Shroud and remove it (4)
 - d) Loosen the Phase Terminal Blocks (6)
 - e) Loosen the the Neutral "T" Connector and slide it to the RHS (5)



- 2
 - a) Remove the doors and the covers from the 250A Distribution Board
 - b) Insert the MCCB / Switch-disconnector assembly (3) in to the 250 A Distribution Board
 - c) Slide the Phase Terminal Blocks (6) on to the 250 A busbar
 - d) Slide the MCCB / Switch-disconnector assembly (3) in to the correct position and use the 4 x M5 10 mm Screws to fasten it in place
 - e) Remove the Neutral Moulding Cover (9) and esure that the copper link in the right position. Tighten to correct tourqe (See table 2) and re-asmble the cover.
 - f) Slide the Neutral 'T' connector(5) in to the Neutral Terminal Bar
 - g) Use the correct torque setting to tighten the phase and neutral connectors (See table 2)



- 3
 - a) Reassemble the Phase Shroud (2) and the Neutral Shroud A (1)
 - b) Connect the main Neutral and Phase incoming connections to the incoming device
 - c) Connect the main Protective connector to the 250 A Distribution Board
 - d) Before assembling, check and re-tighten all factory connections (See table 2)
 - e) Reassemble the cover and the doors on the 250 A Distribution Board



TERMINAL	Max Cable Capacity	TORQUE Nm
Phase Terminal Blocks	90 mm ²	6 Nm
Neutral Terminal Bar screws	25 mm ²	6 Nm
Neutral 'T' connector - M8 nut	N/A	20 Nm
Main incoming device terminals	*25 – 150 mm ²	*20 Nm
Main Incoming Protective terminal	120 mm ²	12 Nm
Neutral Moulding Coper Connector M6	*120 mm ²	*10 Nm
*use manufacturer's data sheet provided with the incoming kit		

TABLE 2



250A DB 4P Incoming Kit Technical Information

Main characteristics in accordance with BS EN 61439-3		
	250A DB 3P+N MCCB Incomer Kit 8GP1601-4DA40	250A DB 3P+N SWD Incomer Kit 8GP1600-4DA40
Operating voltage	230/400 V	230/400 V
Operating frequency	50/60 Hz	50/60 Hz
Rated operational current	250 A	250 A
Rated short circuit withstand current MAIN BUSBAR	12 kA / 1 s - 24 kA peak 17 kA / 0.25 s - 34 kA peak	12 kA / 1 s - 24 kA peak 17 kA / 0.25 s - 34 kA peak
Rated Conditional short-circuit current INCOMING DEVICE	25 kA @ 400 V	25 kA @ 400 V
Rated Conditional short-circuit current OUTGOING DEVICES	16 kA @ 400 V	16 kA @ 400 V
Pollution degree		
Environmental conditions for which the panel is intended	2 Minimum	
Operating temperature		
This is an average of 24 h maximum	-5 to +40 °C	
Storage temperature		
This is an average of 24 h maximum	-5 to +40 °C	
Humidity		
At maximum temperature (+40 °C)	50 %	

SIEMENS

Electrium Sales Limited, Walkmill Lane, Cannock, WS11 0XE
Tel: 01543 455000 Fax: 01543 455001

LF1697-a



Waste electrical products should not be disposed of with household waste.
Please recycle where waste disposal facilities exist.
Check with your retailer, wholesaler or local authority for recycling advice.



Main characteristics in accordance with BS EN 60947-2

Device Catalogue No	3VA1225-4EF32-0AA0	3VA1225-1AA32-0AA0
Product designation	Molded case circuit breaker	Switch disconnecter
Rated insulation voltage U_i	800 V	800 V
Max. rated operational voltage U_e with DC	500 V	500 V
Active power loss / for rated value of the current / at AC / in hot operating state / per pole	19 W	N/A
Power loss [W] / maximum	57 W	57 W
Mechanical service life (switching cycles) / typical	20 000	15 000
Electrical endurance (switching cycles) / at AC-1 / at 380/415 V 50/60 Hz	8 000	N/A
Max. rated operational current	250 A	250 A
Switching capacity class of the circuit breaker	S	N/A
Breaking capacity maximum short-circuit current (I_{cu})	@ 240 V 55 kA @ 415 V 36 kA @ 440 V 25 kA @ 500 V 10 kA @ 690 V 7 kA	N/A
Breaking capacity operating short-circuit current (I_{cs})	@ 240 V 55 kA @ 415 V 36 kA @ 440 V 25 kA @ 500 V 10 kA @ 690 V 5 kA	N/A
Short-circuit current making capacity (I_{cm})	@ 240 V 121 kA @ 415 V 75.6 kA @ 440 V 52.5 kA @ 500 V 17 kA @ 690 V 11.9 kA	N/A
Adjustable response value current / li min.	1250 A	N/A
Adjustable response value current / li max	2500 A	N/A
Product extension / optional / motor drive	YES	YES
Protection class IP / on the front	IP40	IP40
For more information about the MCCB device visit: https://mall.industry.siemens.com/mall/en/de/Catalog/Product/3VA1225-4EF32-0AA0		
For more information about the SWD device visit: https://mall.industry.siemens.com/mall/en/WW/Catalog/Product/3VA1225-1AA32-0AA0		

SIEMENS

Electrium Sales Limited, Walkmill Lane, Cannock, WS11 0XE
Tel: 01543 455000 Fax: 01543 455001

LF1697-a



Waste electrical products should not be disposed of with household waste.
Please recycle where waste disposal facilities exist.
Check with your retailer, wholesaler or local authority for recycling advice.



250A Distribution Board Incoming Kits – Options

For more information and full product range visit:

<https://new.siemens.com/uk/en/products/energy/low-voltage/systems.html>



Description	Catalogue Number
4 Way Distribution Board	8GP1204-4DA54
6 Way Distribution Board	8GP1206-4DA54
8 Way Distribution Board	8GP1208-4DA54
12 Way Distribution Board	8GP1212-4DA54
16 Way Distribution Board	8GP1216-4DA54
20 Way Distribution Board	8GP1220-4DA54
24 Way Distribution Board	8GP1224-4DA54

**250A DB 4P MCCB
Incomer Kit**

- 8GP1601-4DA50

**250A DB 4P SWD
Incomer Kit**

- 8GP1600-4DA50

**250A DB 3P+N MCCB
Incomer Kit**

- 8GP1601-4DA40

**250A DB 3P+N SWD
Incomer Kit**

- 8GP1600-4DA40

250A Direct Connection Kit

- 8GP1867-0DA10

SIEMENS

Electrium Sales Limited, Walkmill Lane, Cannock, WS11 0XE
Tel: 01543 455000 Fax: 01543 455001



Waste electrical products should not be disposed of with household waste.
Please recycle where waste disposal facilities exist.
Check with your retailer, wholesaler or local authority for recycling advice.

