

1. PAN ASSEMBLY 250A 3P SWD KIT
2. PAN ASSEMBLY 250A 3P MCCB KIT

INSTALLATION INSTRUCTIONS

CATALOGUE No:

1. 8GP1603-4DA40
2. 8GP1604-4DA40

BS EN 61439-3
IEC 61439-3
BS EN 60947-2

Technical Support

Tel: 0845 850 7600

Email: service.gbi.industry@siemens.com

GENERAL WARNINGS



DANGER: LIVE PARTS ENCLOSED. Ensure the unit is installed by a qualified competent person in accordance with all relevant legislation and regulations including building regulations and wiring regulations BS7671. If in doubt, contact a qualified competent person.



IMPORTANT INFORMATION

Follow the instructions below before working on or inside the equipment.

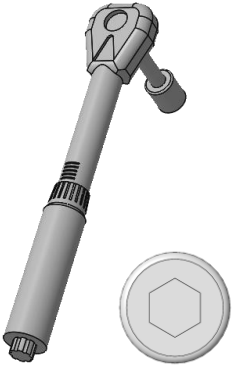
- Turn off all power supplies
- Always use a calibrated volt-sensing device to confirm the power is off.
- Replace all devices, doors and covers before turning on the power to this equipment.
- To avoid ingress of swarf and similar material, always remove gland plates to allow cutting/slotting for cable entries.
- Do not use power screwdrivers on electrical connections.



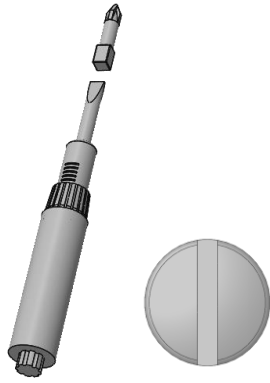
Failure to follow these instructions could result in serious injury or death.



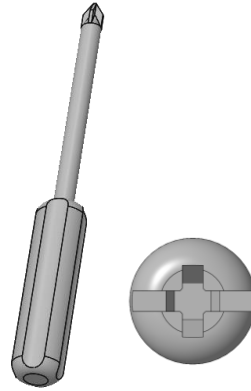
Required Tools



Torque Wrench, M8 & M6



Torque Screwdriver

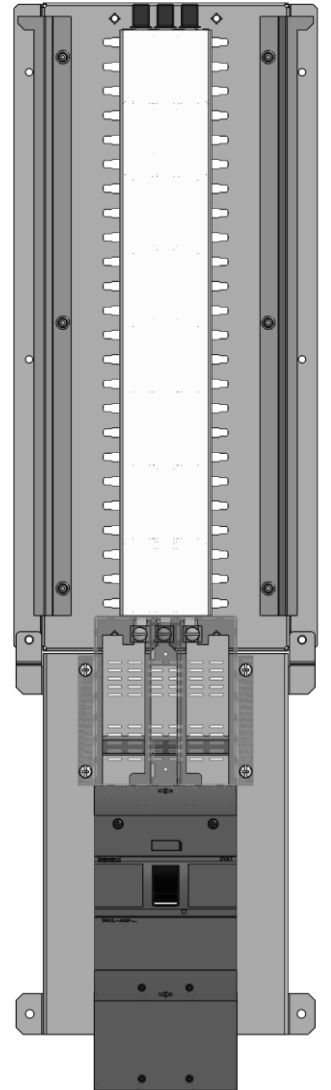
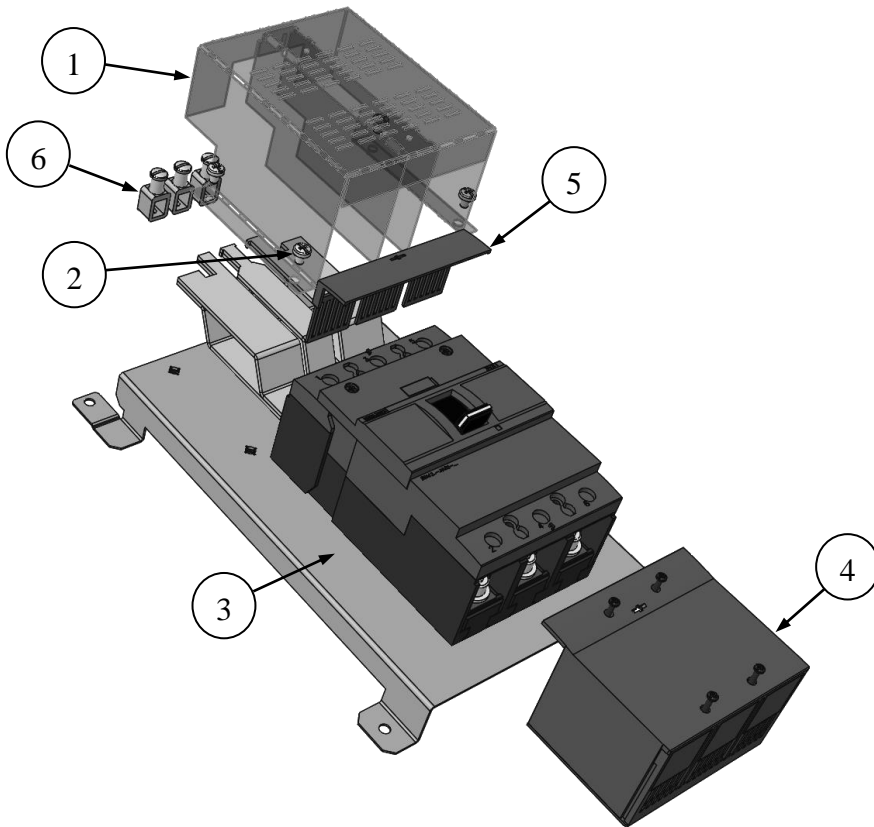


Pozi Screwdriver

Content

No.	Description	QTY
1	Phase Shroud	1
2	M5 10 mm Screw	4
3	MCCB / Switch-disconnector assembly	1
4	MCCB / Switch-disconnector Shroud A	1
5	MCCB / Switch-disconnector Shroud B	1
6	Phase Terminal Blocks	3

TABLE 1



SIEMENS

Electrium Sales Limited, Walkmill Lane, Cannock, WS11 0XE
Tel: 01543 455000 Fax: 01543 455001

LF1698-1

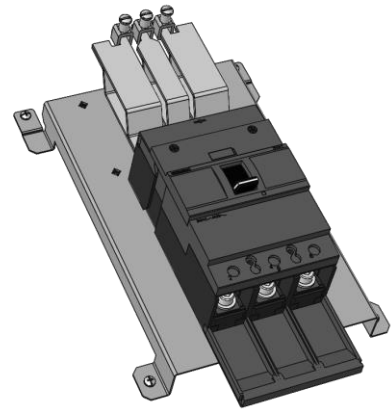
UK
CA
CE

Waste electrical products should not be disposed of with household waste.
Please recycle where waste disposal facilities exist.
Check with your retailer, wholesaler or local authority for recycling advice.



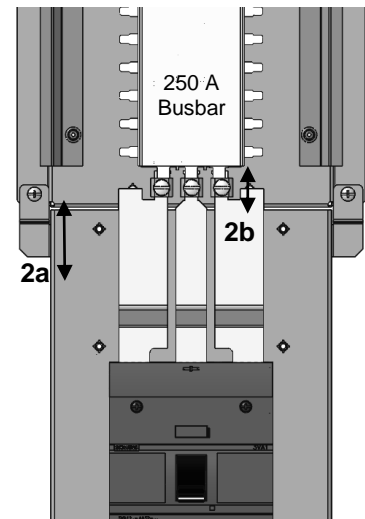
Page 2 of 6

- 1 Prepare the Pan Assembly incoming kit for connection
- Remove the Phase Shroud (1)
 - Remove the MCCB / Switch-disconnector Shroud (4)
 - Loosen the Phase Terminal Blocks (6)



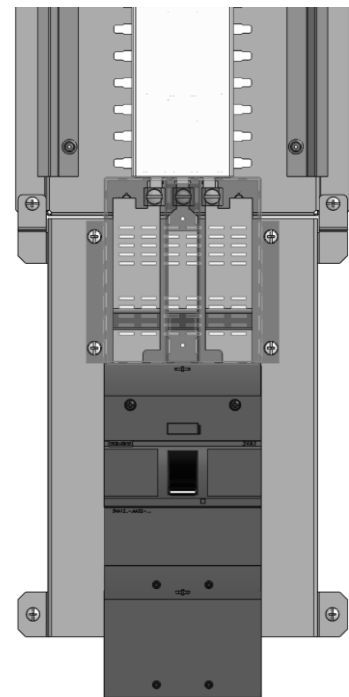
- 2 Connect the MCCB / Switch-disconnector assembly (3) to the 250 A Pan-Assembly and the 250A Busbar

- Slide the MCCB / Switch-disconnector assembly (3) in to the correct position and use the 4 x M5 10 mm Screws to fasten it in place
- Slide the Phase Terminal Blocks (6) on to the 250 A busbar
- Use the correct torque setting to tighten the Phase Terminal Blocks (See table 2)



- 3 Connect the main incoming connections. Please ensure all connections are tightened to the correct torque settings and reassemble the shields

- Connect the main phase incoming connections to the incoming device
- Before assembling, check and re-tighten all factory connections (See table 2)
- Reassemble the Phase Shroud (1) and the MCCB / Switch-disconnector Shroud A (4)
- Ensure that phase barriers are correctly located between the terminal cages at the main Busbar connection



TERMINAL	Max Cable Capacity	TORQUE Nm
Phase Terminal Blocks	90 mm ²	6 Nm
Main incoming device terminals	Use manufacturer's data sheet provided with the incoming kit	

TABLE 2



250A DB 4P Incoming Kit Technical Information

Main characteristics in accordance with BS EN 61439-3

	PAN ASSEMBLY 250A 3P SWD KIT 8GP1603-4DA40	PAN ASSEMBLY 250A 3P MCCB KIT 8GP1604-4DA40
Operating voltage	230/400 V	230/400 V
Operating frequency	50/60 Hz	50/60 Hz
Rated operational current	250 A	250 A
Rated short circuit withstand current MAIN BUSBAR	12 kA / 1 s - 24 kA peak 17 kA / 0.25 s - 34 kA peak	12 kA / 1 s - 24 kA peak 17 kA / 0.25 s - 34 kA peak
Rated Conditional short-circuit current INCOMING DEVICE	25 kA @ 400 V	25 kA @ 400 V
Rated Conditional short-circuit current OUTGOING DEVICES	16 kA @ 400 V	16 kA @ 400 V
Pollution degree		
Environmental conditions for which the panel is intended	2 Minimum	
Operating temperature		
This is an average of 24 h maximum	-5 to +40 °C	
Storage temperature		
This is an average of 24 h maximum	-5 to +40 °C	
Humidity		
At maximum temperature (+40 °C)	50 %	

SIEMENS

Electrium Sales Limited, Walkmill Lane, Cannock, WS11 0XE
Tel: 01543 455000 Fax: 01543 455001

LF1698-1



Waste electrical products should not be disposed of with household waste.
Please recycle where waste disposal facilities exist.
Check with your retailer, wholesaler or local authority for recycling advice.



Main characteristics in accordance with BS EN 60947-2

Device Catalogue No	3VA1225-4EF32-0AA0	3VA1225-1AA32-0AA0
Product designation	Molded case circuit breaker	Switch disconnecter
Rated insulation voltage U_i	800 V	800 V
Max. rated operational voltage U_e with DC	500 V	500 V
Active power loss / for rated value of the current / at AC / in hot operating state / per pole	19 W	N/A
Power loss [W] / maximum	57 W	57 W
Mechanical service life (switching cycles) / typical	20 000	15 000
Electrical endurance (switching cycles) / at AC-1 / at 380/415 V 50/60 Hz	8 000	N/A
Max. rated operational current	250 A	250 A
Switching capacity class of the circuit breaker	S	N/A
Breaking capacity maximum short-circuit current (I_{cu})	@ 240 V 55 kA @ 415 V 36 kA @ 440 V 25 kA @ 500 V 10 kA @ 690 V 7 kA	N/A
Breaking capacity operating short-circuit current (I_{cs})	@ 240 V 55 kA @ 415 V 36 kA @ 440 V 25 kA @ 500 V 10 kA @ 690 V 5 kA	N/A
Short-circuit current making capacity (I_{cm})	@ 240 V 121 kA @ 415 V 75.6 kA @ 440 V 52.5 kA @ 500 V 17 kA @ 690 V 11.9 kA	N/A
Adjustable response value current / li min.	1250 A	N/A
Adjustable response value current / li max	2500 A	N/A
Product extension / optional / motor drive	YES	YES
Protection class IP / on the front	IP40	IP40
For more information about the MCCB device visit: https://mall.industry.siemens.com/mall/en/de/Catalog/Product/3VA1225-4EF32-0AA0		
For more information about the SWD device visit: https://mall.industry.siemens.com/mall/en/WW/Catalog/Product/3VA1225-1AA32-0AA0		

SIEMENS

Electrium Sales Limited, Walkmill Lane, Cannock, WS11 0XE
Tel: 01543 455000 Fax: 01543 455001

LF1698-1



Waste electrical products should not be disposed of with household waste.
Please recycle where waste disposal facilities exist.
Check with your retailer, wholesaler or local authority for recycling advice.



250A Distribution Board Incoming Kits – Options

For more information and full product range visit:

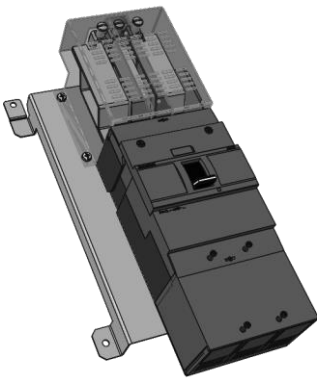
<https://new.siemens.com/uk/en/products/energy/low-voltage/systems.html>



Description	Catalogue Number
250A PAN ASSEMBLY 4W	8GP1940-4DA41
250A PAN ASSEMBLY 8W	8GP1940-4DA43
250A PAN ASSEMBLY 12W	8GP1940-4DA44
250A PAN ASSEMBLY 16W	8GP1940-4DA45
250A PAN ASSEMBLY 20W	8GP1940-4DA46
250A PAN ASSEMBLY 24W	8GP1940-4DA47
250A PAN ASSEMBLY 4W	8GP1940-4DA41

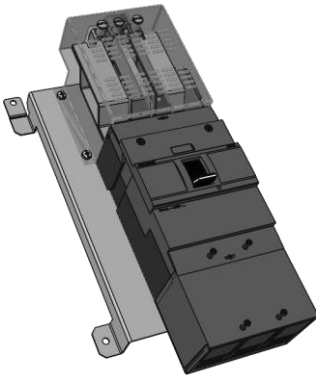
**PAN ASSEMBLY
250A 3P SWITCH DISCONNECTOR**

- 8GP1603-4DA40



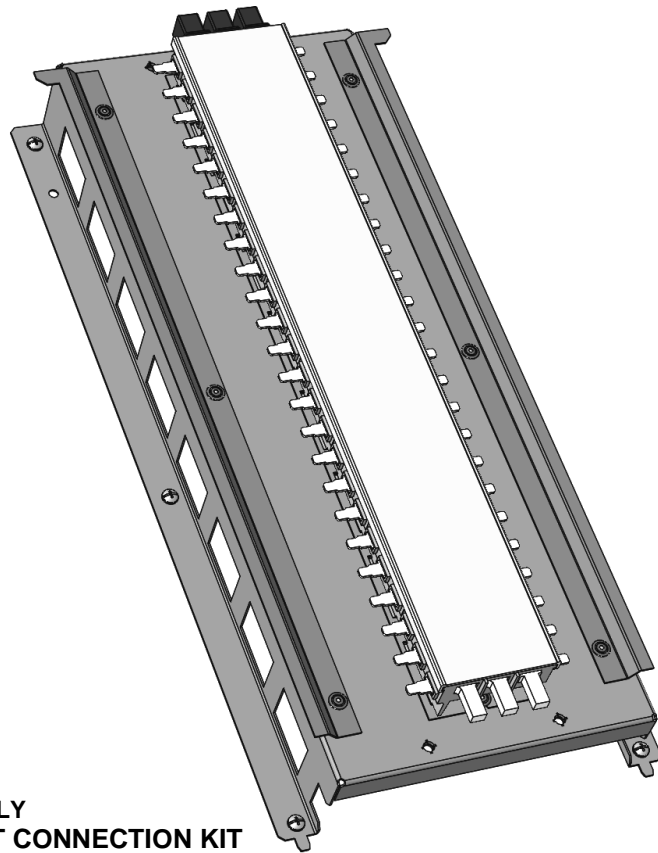
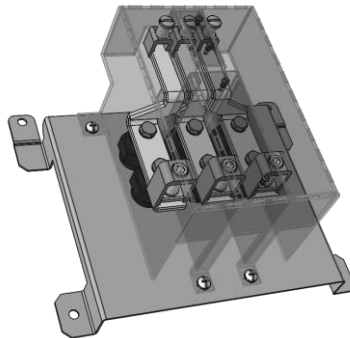
**PAN ASSEMBLY
250A 3P MCCB**

- 8GP1604-4DA40



**PAN ASSEMBLY
250A DIRECT CONNECTION KIT**

- 8GP1605-4DA40



SIEMENS

Electrium Sales Limited, Walkmill Lane, Cannock, WS11 0XE
Tel: 01543 455000 Fax: 01543 455001



Waste electrical products should not be disposed of with household waste.
Please recycle where waste disposal facilities exist.
Check with your retailer, wholesaler or local authority for recycling advice.

