



DANGER: LIVE PARTS ENCLOSED. Ensure the unit is installed by a qualified competent person in accordance with all relevant legislation and regulations including building regulations and wiring regulations BS7671. If in doubt contact a qualified competent person.



IMPORTANT INFORMATION

Follow the instructions below before working on or inside the equipment.



- Turn off all power supplies
- Always use a calibrated volt-sensing device to confirm the power is off.
- Replace all devices, doors and covers before turning on the power to this equipment.
- To avoid ingress of swarf and similar material, always remove gland plates to allow cutting/slotting for cable entries.
- Do not use power screwdrivers on electrical connections.



Failure to follow these instructions could result in serious injury or death.

DO NOT USE POWER TOOL SCREWDRIVERS ON ELECTRICAL CONNECTIONS

Fitting Instruction

Remove the door and front plate from the main panel board.

Insert the copper connections, bolts and washers into the Incomer device terminals and connect the assembly to the main busbar. For more details refer to Figure 1.

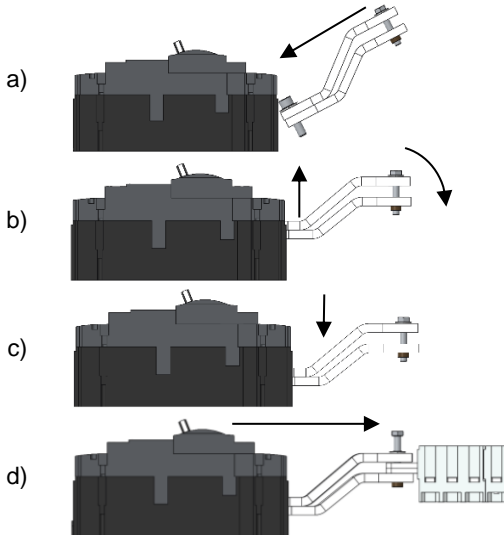


Fig 1.

Fasten the incomer & neutral to the incoming mounting plate, refer to instruction below (Fig. 2) for further details.

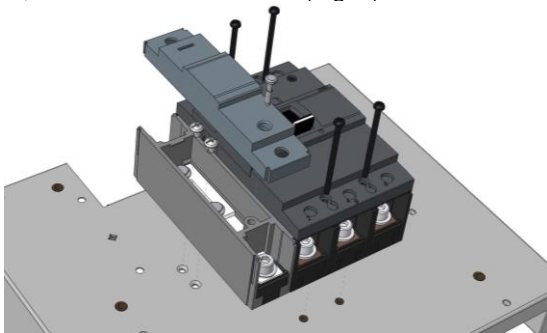
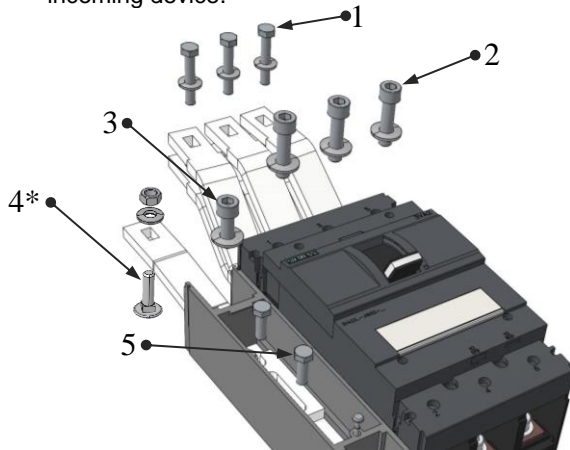


Fig. 2

After the assembly kit has been fitted, ensure that all the fasteners have been fastened to the correct torque. These connections will **NOT** be torqued in the factory. Refer to torque setting in Fig. 3 for recommended tightening torques. The incoming connection torque setting should be 40 Nm. For more details refer to the

manufacturer's installation instructions provided with the incoming device.



No.	Description	Torque Setting
1	M8 x 50 mm Hex. Bolt and Washer	25 Nm
2	M10 x 40 mm Socket Head Bolt and Washer	40 Nm
3	M10 x 30 mm Socket Head Bolt and Washer	40 Nm
4*	M8 x 30 mm Coach Bolt, Washer and Nut	20 Nm
5	M8 x 25 mm Hex. Bolt and Washer	20 Nm

*Supplied with the Panel Board

Fig. 3

Shroud fitting Instruction

Assemble the shroud by fastening the busbar shroud to the incoming kit shroud. Install the incoming kit shroud using 4 plastic push rivets provided. Refer to Fig. 4a and Fig. 4b for details.

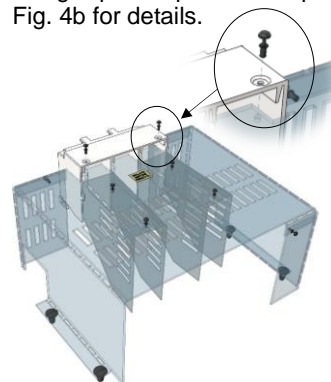


Fig. 4a

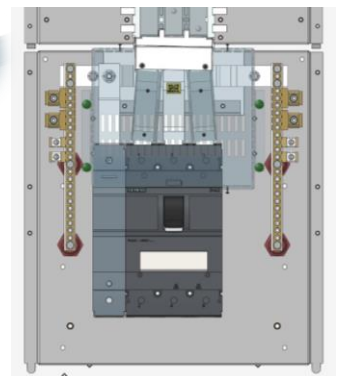


Fig. 4b

Before fitting the front cover & door to the main panel board, check the tightness of **all** connections, including factory made connections.