



This unit should be installed by a qualified competent person in accordance with all relevant legislation and regulations including building regulations and wiring regulations BS7671. If in doubt contact a qualified competent person.

- Turn off all power supplying this equipment before working on or inside the equipment.
- Always use a properly rated volt-sensing device to confirm the power is off.
- Replace all devices, doors and covers before turning on the power to this equipment.
- To avoid ingress of swarf and similar material, always remove gland plates to allow cutting/slotting for cable entries.

Failure to follow these instructions could result in serious injury or death.

DO NOT USE POWER TOOL SCREWDRIVERS ON ELECTRICAL CONNECTIONS

NOTE: - THE APERTURE OF THE CT IS 28 MM DIAMETER OVERALL.
Please ensure that incoming cable will pass through this before continuing.

Fitting Instruction

Remove the front plates and gland plates from the cableway.

Assemble the meter and CTs by referring to Fig. 1a and Fig. 1b. **Ensure the polarity is correct by referring to Fig. 1a.**

- **P1 - supply to CT**
- **P2 - load from CT**

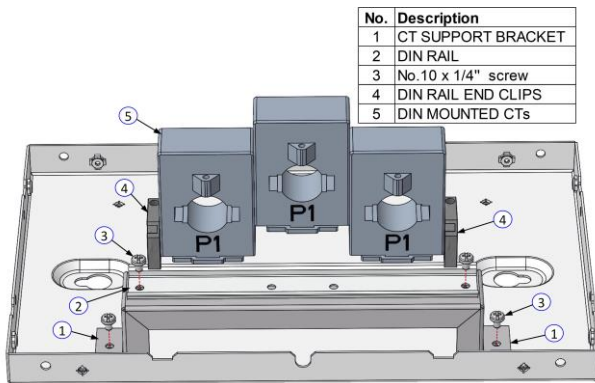


Fig. 1a

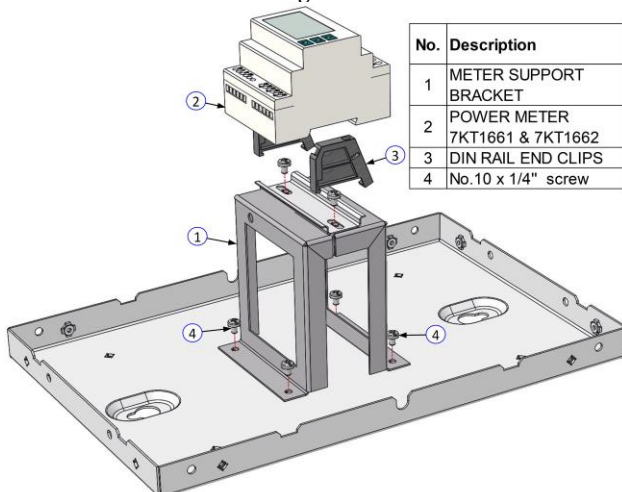


Fig. 1b

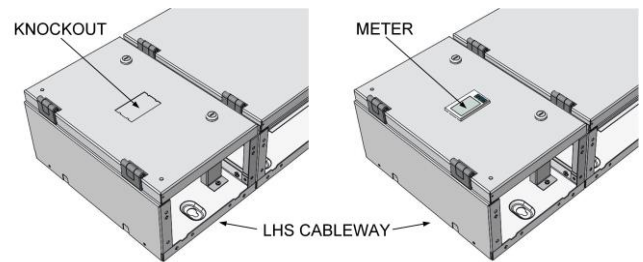


Fig. 2

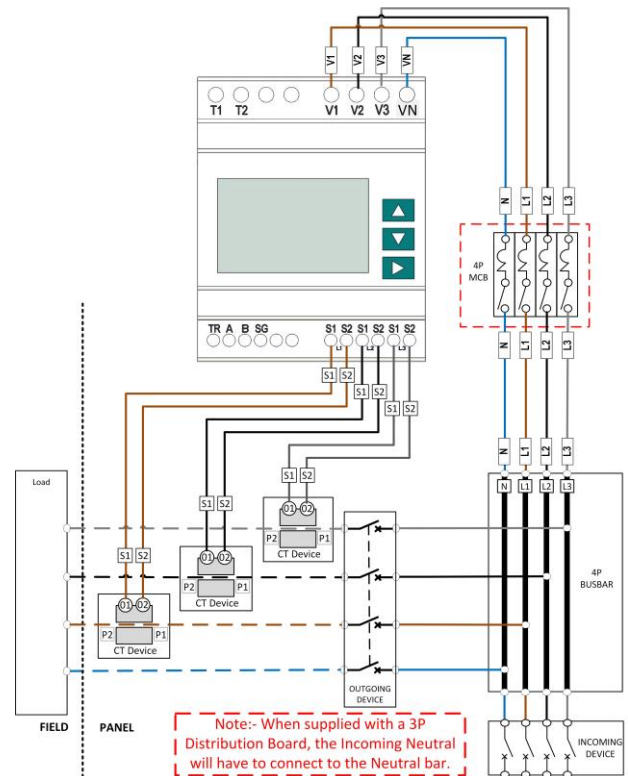


Fig. 3

Remove the knockout on the cableway to allow the meter to protrude through the front plate, ensure there are no sharp edges after removal. Refer to Fig. 2 for details.



Fit the 4P MCB required for the meter voltage connections by referring to leaflet supplied with the voltage supply loom & the wiring diagram in Figs. 3 & 4. Remove the shroud from the top end of the busbar to gain access. Connect the MCB to the busbar using the voltage supply loom kit.

**VOLTAGE SUPPLY LOOM SOLD
SEPERATLY
CAT No - 8GP1802-0DA23**

Wiring Instruction

Using the cable loom provided connect the meter to the MCB by referring to the wiring diagram in Fig. 3. If the cables are too long cut the cable to length ensuring the cable markers remain on both ends of the cable. Connect the CTs to the meter using the cable loom provided. Refer to the wiring diagram in Fig. 3

If using more than one meter, refer to Fig. 4 for wiring details of the voltage connections. For more details see the leaflet supplied with the voltage supply loom.

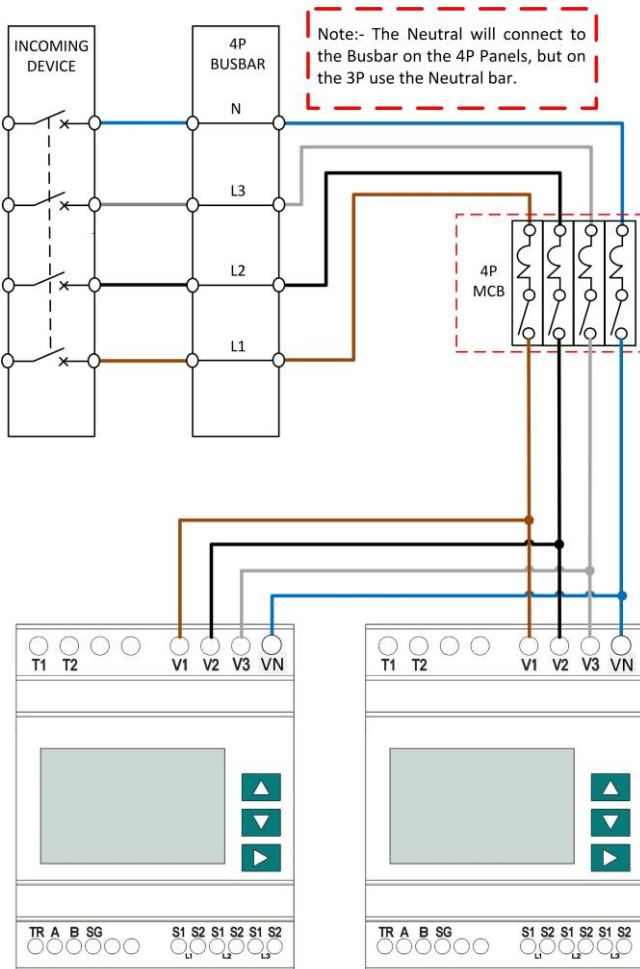


Fig. 4

Use pads and cable ties to secure the wiring looms. Fully tighten terminal cages and cable clamps to the torque as recommended in Fig. 5.

Fastener	Torque
Neutral Terminal Bar	6 Nm
Busbar End	15 Nm
MCB Device	See Manufacturer's Leaflets for Recommended settings
Meter terminals	
Recommended Tightening Torques	

Fig. 5

Re-fitting Instruction

Refit the gland plate. Refit the shroud to the top of the busbars over the copper connections.

Before fitting the front plate, check the tightness of **all** connections, including factory made connections.

Meter setup Instruction

Refer to meter manual to set up the meter to correct ratio (See page 42 to 66 in the Manual).

Manual 7KT PAC1600 energy meter – PDF download



https://support.industry.siemens.com/cs/attachments/109759827/7KT_energy_meter_en-US.pdf?download=true

Manual 7KT PAC1600 energy meter - Online Support



<https://support.industry.siemens.com/cs/document/109759827/manual-7kt-pac1600-energy-meter?dti=0&lc=en-GB>