



This unit should be installed by a qualified competent person in accordance with all relevant legislation and regulations including building regulations and wiring regulations BS7671. If in doubt contact a qualified competent person.

- Turn off all power supplying this equipment before working on or inside the equipment.
- Always use a properly rated volt-sensing device to confirm the power is off.
- Replace all devices, doors and covers before turning on the power to this equipment.
- To avoid ingress of swarf and similar material, always remove gland plates to allow cutting/slotting for cable entries.

**Failure to follow these instructions could result in serious injury or death.**

#### DO NOT USE POWER TOOL SCREWDRIVERS ON ELECTRICAL CONNECTIONS

#### Fitting Instruction

Remove the door and in-come front plate from the distribution board.

Fit the Arrestor to the mounting plate by referring to Fig. 1.

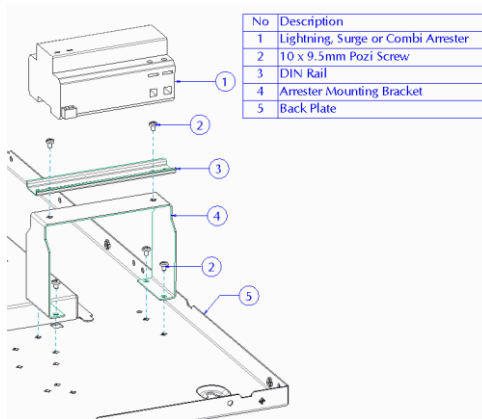


Fig. 1

For 250A in-come unit fit cable clamp and terminal assembly to earth bar. (Clamps on 400A, and 800A in-come unit will accept cable directly)

#### Wiring Instruction

Connect the brown marked cable between L1 phase of MCCB and L1 terminal of device, black marked cable between L2 terminals and grey marked cable between L3 terminals. Connect the blue marked cable from the panel Neutral bar to the Neutral terminal on the device.

Connect green and yellow Earth cable from Earth bar to Earth terminal on the device as shown in fig. 2A & 2B.

NOTE Customer must connect their main Earth cable to the additional earth terminal on the protection device if possible, if not use the main terminal on the Earth bar.

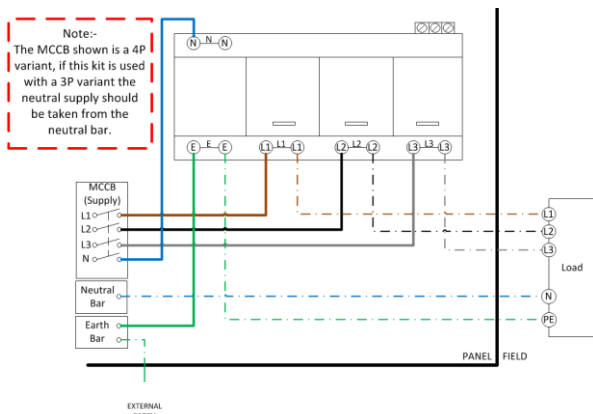


Fig. 2 A - Lightning & Combination Arrestor Wiring Details

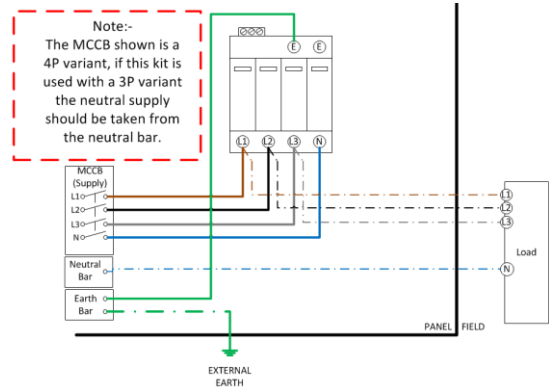


Fig. 2 B - Surge Arrestor Wiring Details

Fully tighten all electrical connections to the recommended torque setting shown in Fig. 3.

Recommended Tightening Torques	
Fastener	Torque
Neutral/Earth Bar	6 Nm
Neutral/Earth Cage	12 Nm

Note:- Refer to manufacturing instructions for any other torque settings

Fig. 3

Ensure the cables are positioned in the same location as the picture in Fig. 4



Fig. 4

NOTE: - Disconnect the supply to the device or unplug the protective module before performing a resistance test on the system. Otherwise inaccurate measurements are possible. Reconnect the supply /re-insert the module into the base element after the insulation resistance test.

**Ensure the MCCB fitted has been set to its maximum rating.**

#### Re-fitting Instruction

Before fitting the front cover, check the tightness of **all** connections, including factory made connections. Refer to Fig. 3 for recommended tightening torques.

Remove the right hand knockout on the front plate and refit to box, fix the safety label provided under the knockout for the arrester on the front plate at the same time.

Switch on MCCB supply to Protection/Surge.