



*This kit should be installed by a qualified competent person in accordance with all relevant legislation and regulations including building regulations and wiring regulations BS7671. If in doubt contact a qualified competent person.*

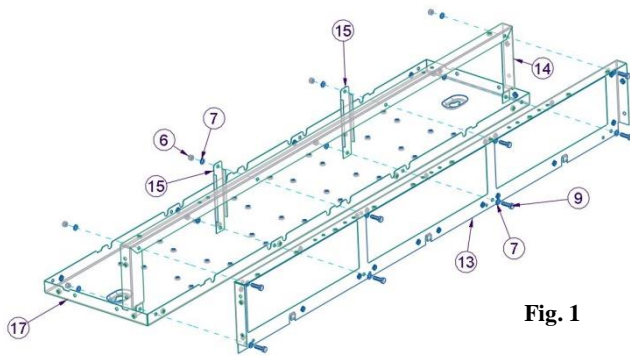
- Turn off all power supplying this equipment before working on or inside the equipment.
- Always use a properly rated volt-sensing device to confirm the power is off.
- Replace all devices, doors and covers before turning on the power to this equipment.
- To avoid ingress of swarf and similar material, always remove gland plates to allow cutting/slotting for cable entries.

***Failure to follow these instructions could result in serious injury or death.***

#### **DO NOT USE POWER TOOL SCREWDRIVERS ON ELECTRICAL CONNECTIONS**

#### **Fitting Instruction**

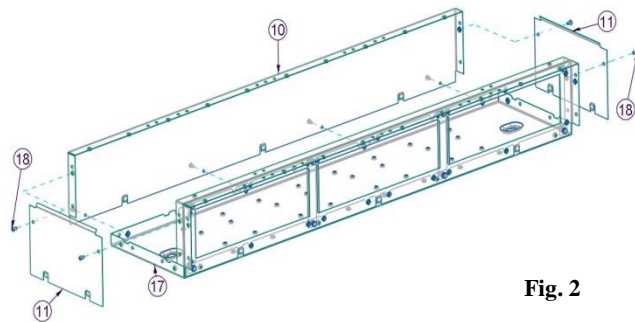
- Remove the door and front plate from the main panel board
- Remove the Side plates from the main panel board
- Remove the front plate from the Corner way and spreader box if required.
- Assembling the back plate and side rails to the Main Panel board by Refer to Fig. 1 & Fig. 6 for details.



**Fig. 1**

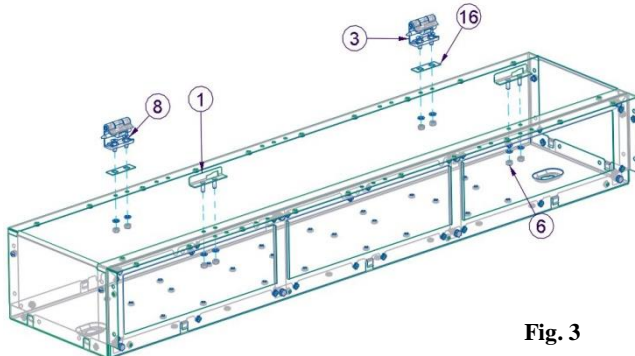
Note: - Part number 13 does NOT come with this kit. This part is just for illustration purposes only.

- Once the Cableway is attached to the main panel board start to assemble the side plates by referring to Fig. 2 & Fig. 6.



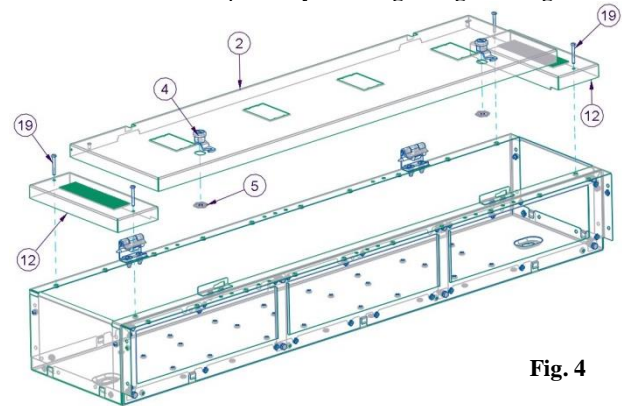
**Fig. 2**

- After the Cableway box is assembled start adding the hinges and latches, refer to Fig. 3 & Fig. 6 for details.



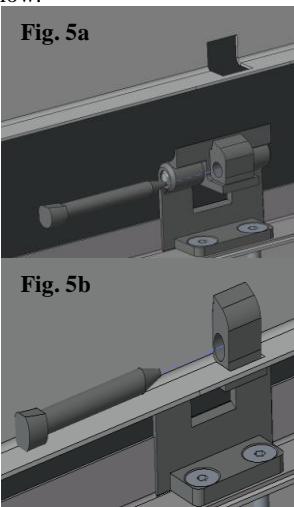
**Fig. 3**

Next add the front plates by referring to Fig. 4 & Fig. 6.



**Fig. 4**

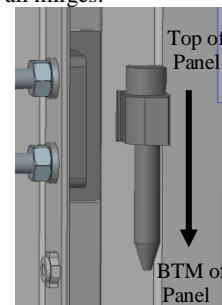
- When fitting the door ensure that the following steps are followed in Fig. 5. First step place the door into the hinge as shown below.



**Fig. 5a**

**Fig. 5b**

- Secondly place the pin into the hinge to secure the door in place. Ensure the pin is pointing downwards when fitting. Repeat this for all hinges.



**Fig. 5c**



- Part descriptions and number are shown in Fig. 6.

| Index | Description                  |
|-------|------------------------------|
| 1     | Panel Latch                  |
| 2     | Cableway Front Plate         |
| 3     | Panel Hinge                  |
| 4     | Panel Lock                   |
| 5     | M18 Flat Nut                 |
| 6     | M6 Full Nut                  |
| 7     | M6 Contact Washer            |
| 8     | M6 X 12 mm Countersunk Screw |
| 9     | M6 X 20 mm Bolt              |
| 10    | Box Side Plate               |
| 11    | End Plate                    |
| 12    | Top and Bottom Front Plate   |
| 13    | Panel Side Plate             |
| 14    | Box Side Rail                |
| 15    | Cableway Support Bracket     |
| 16    | Hinge Spacer Plate           |
| 17    | Back Plate                   |
| 18    | 10 x 1/4 mm Pozi Screw       |
| 19    | 10 x 35 mm Pozi Type B Screw |

Notes:  
 - Item No 15 can change in quantity and placement per each box size variation.  
 - This cableway can be installed as a left or right hand cableway. This assembly shown demonstrates the assembly for both side  
 - Item No 2 can have different number of knockouts per each box size variation.

Fig. 6

- Ensure that the assembly is fit for purpose by checking which side the kit is required.
- Different size boxes can have different number of knockouts on the Front Plate per each box size. For number of knockouts see table below.

| Catalogue No  | Number of knockouts on the Front Plate | Box size |
|---------------|--|----------|
| 8GP1921-0DA16 | 4                                      | 1        |
| 8GP1921-0DA17 | 4                                      | 2        |
| 8GP1921-0DA18 | 6                                      | 3        |

#### Re-fitting Instruction

- Before fitting the front cover & door to the main panel board, check the tightness of **all** connections, including factory made connections.

