



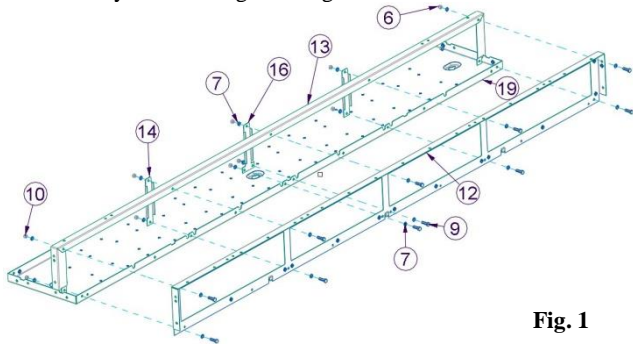
*This kit should be installed by a qualified competent person in accordance with all relevant legislation and regulations including building regulations and wiring regulations BS7671. If in doubt contact a qualified competent person.*

- Turn off all power supplying this equipment before working on or inside the equipment.
  - Always use a properly rated volt-sensing device to confirm the power is off.
  - Replace all devices, doors and covers before turning on the power to this equipment.
  - To avoid ingress of swarf and similar material, always remove gland plates to allow cutting/slotting for cable entries.
- Failure to follow these instructions could result in serious injury or death.***

#### **DO NOT USE POWER TOOL SCREWDRIVERS ON ELECTRICAL CONNECTIONS**

#### **Fitting Instruction**

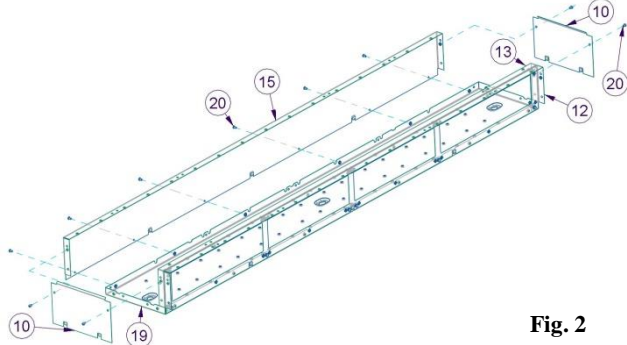
- Remove the door and front plate from the main panel board
- Remove the Side plates from the main panel board
- Remove the front plate from the Corner way and spreader box if required.
- Assembling the back plate and side rails to the Main Panel board by Refer to Fig. 1 & Fig. 6 for details.



**Fig. 1**

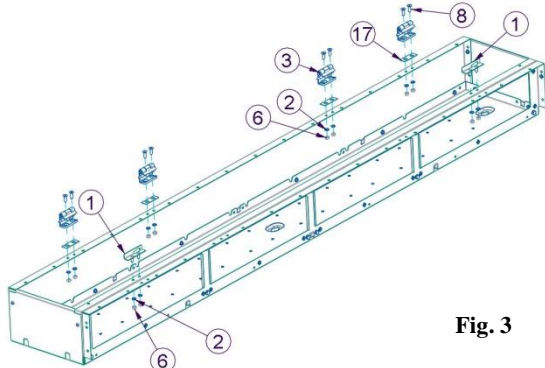
Note: - Part number 19 does NOT come with this kit. This part is just for illustration purposes only.

- Once the Cableway is attached to the main panel board start to assemble the side plates by referring to Fig. 2 & Fig. 6.



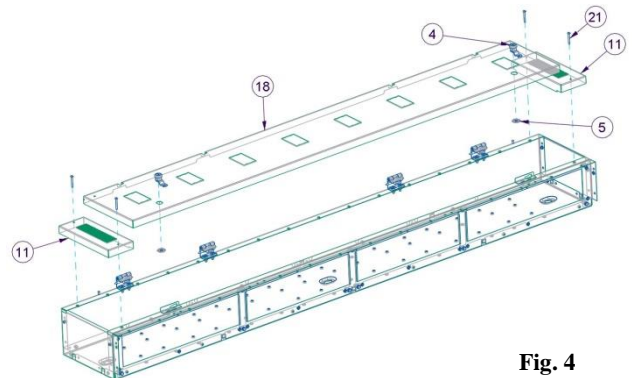
**Fig. 2**

- After the Cableway box is assembled start adding the hinges and latches, refer to Fig. 3 & Fig. 6 for details.



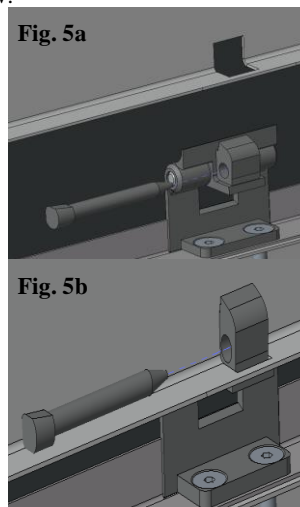
**Fig. 3**

- Next add the front plates by referring to Fig. 4 & Fig. 6.



**Fig. 4**

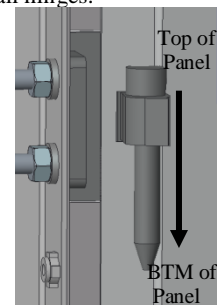
- When fitting the door ensure that the following steps are followed in Fig. 5. First step place the door into the hinge as shown below.



**Fig. 5a**

**Fig. 5b**

- Secondly place the pin into the hinge to secure the door in place. Ensure the pin is pointing downwards when fitting. Repeat this for all hinges.



**Fig. 5c**



- Part descriptions and number are shown in Fig. 6.

Index	Description
1	Panel Latch
2	M6 Flat Washer
3	Panel Hinge
4	Panel Lock
5	M18 Flat Nut
6	M6 Full Nut
7	M6 Contact Washer
8	M6 X 12 mm Countersunk Screw
9	M6 X 20 mm Bolt
10	End Plate
11	Top and Bottom Front Plate
12	Panel Side Plate
13	Box Side Rail
14	Cableway Support Bracket
15	Box Side Plate
16	Cableway Support Bracket
17	Hinge Spacer Plate
18	Cableway Front Plate
19	Back Plate
20	10 x 1/4 mm Pazi Screw
21	10 x 35 mm Pozi Type B Screw

Notes:  
- Item No14 and No 16 will change in quantity and placement per each variation.  
- This cableway can be installed as a left or right hand cableway. This assembly shown demonstrates the assembly for both side

- Ensure that the assembly is fit for purpose by checking which side the kit is required.

#### Re-fitting Instruction

- Before fitting the front cover & door to the main panel board, check the tightness of **all** connections, including factory made connections.

Fig. 6

Full Assembly View

