



**DANGER: LIVE PARTS ENCLOSED.** Ensure the unit is installed by a qualified competent person in accordance with all relevant legislation and regulations including building regulations and wiring regulations BS7671. If in doubt, contact a qualified competent person.



#### IMPORTANT INFORMATION

Follow the instructions below before working on or inside the equipment.



- Turn off all power supplies
- Always use a calibrated volt-sensing device to confirm the power is off.
- Replace all devices, doors and covers before turning on the power to this equipment.
- To avoid ingress of swarf and similar material, always remove gland plates to allow cutting/slotting for cable entries.
- Do not use power screwdrivers on electrical connections.

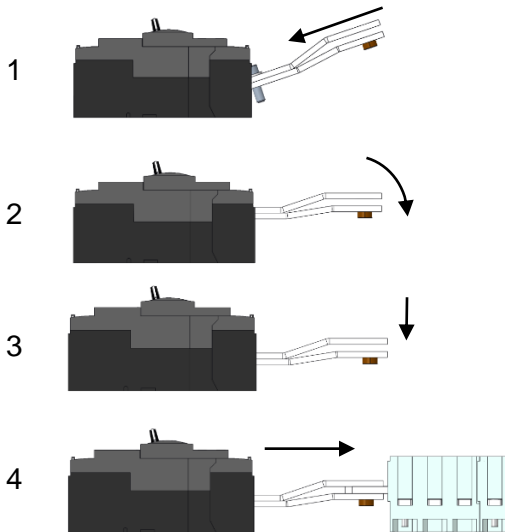


**Failure to follow these instructions could result in serious injury or death.**

#### Fitting Instruction

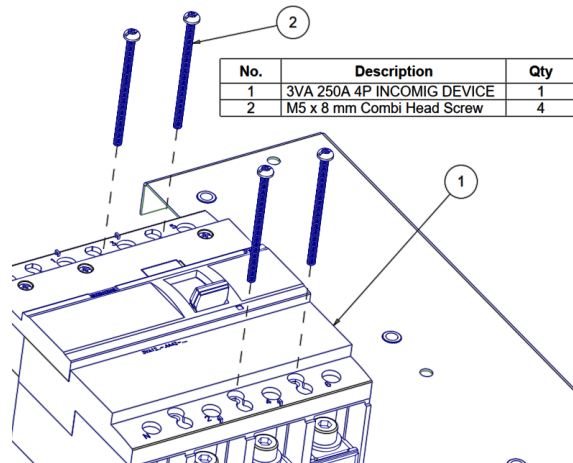
Remove the door and front plate from the main panel board.

Inset the copper connections, **bolts and washers** into the Incomer device terminals and connect the assembly to the main busbar.



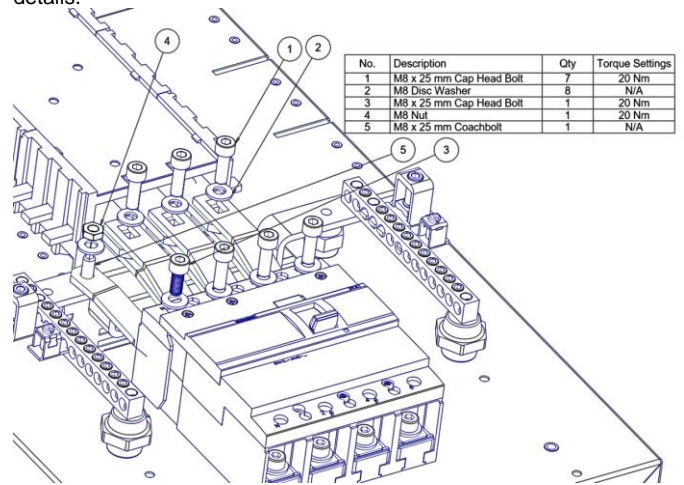
**Fig. 1.**

Fasten the incomer to the incoming mounting plate, refer to instruction below (Fig. 1) for further details.



**Fig. 2**

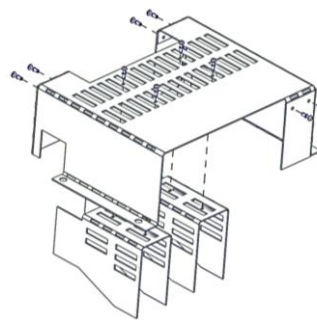
Torque the copper links, refer to instructions below (Fig. 3) for details.



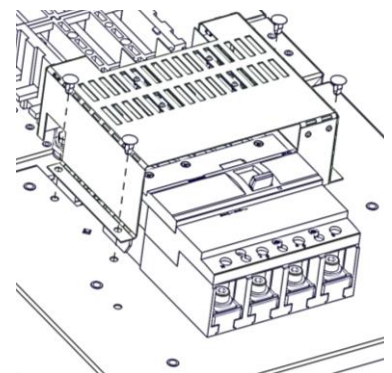
**Fig. 3**

#### Shroud fitting Instruction

Refer to Fig. 4 for shroud and interphase barrier assembly details.



**Fig. 4**



**Fig. 5**

Fit the shroud to the top of the busbars/over the copper connections using snap rivets. Refer to Fig. 5 for assembly details.

Before fitting the front cover & door to the main panel board, check the tightness of **all** connections, including factory made connections.

