



DANGER: LIVE PARTS ENCLOSED. Ensure the unit is installed by a qualified competent person in accordance with all relevant legislation and regulations including building regulations and wiring regulations BS7671. If in doubt contact a qualified competent person.



IMPORTANT INFORMATION

Follow the instructions below before working on or inside the equipment.



- Turn off all power supplies

- Always use a calibrated volt-sensing device to confirm the power is off.

- Replace all devices, doors and covers before turning on the power to this equipment.

- To avoid ingress of swarf and similar material, always remove gland plates to allow cutting/slotting for cable entries.

- Do not use power screwdrivers on electrical connections.



Failure to follow these instructions could result in serious injury or death.

DO NOT USE POWER TOOL SCREWDRIVERS ON ELECTRICAL CONNECTIONS

Fitting & Wiring Instruction

Remove the incomer front plate and the gland plates from the Panel Board.

Remove the knockout on the front plate to allow the meter to be mounted, ensure there are no sharp edges after removal. Position and mount the meter. Details are shown in Fig. 1.

No	Description
1	SIEMENS POWER METER 7KT1661 & 7KT1662
2	DIN RAIL END CLIPS
3	METER SUPPORT CLIPS
4	No.4 x 1/4" screw

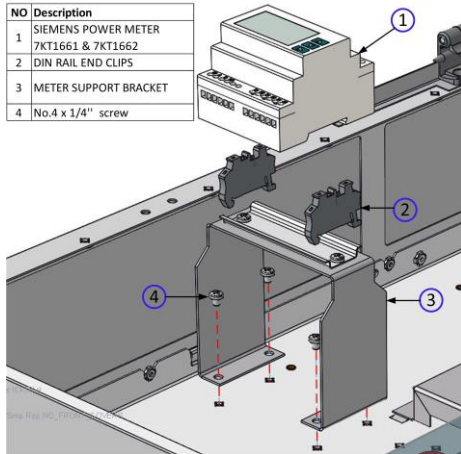
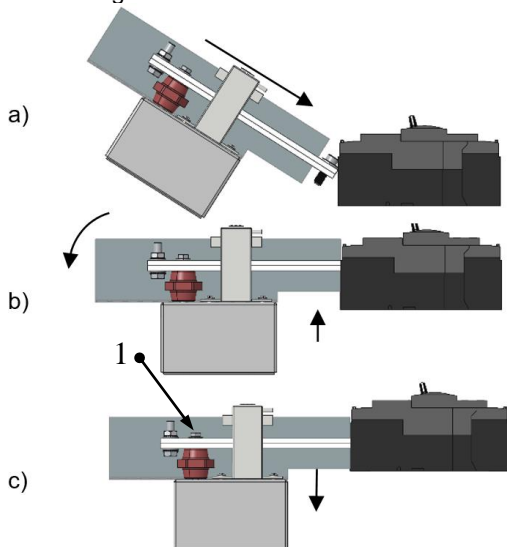


Fig. 1

Assemble the CT copper connections into the Incomer device terminals (including the bolts and washers), For more details refer to Figure 2.



No.	Description	Torque Setting
1	M6 x 25 mm Hex. Bolt and Washer	10 Nm

Fig. 2

Once assembled, use 4 off 6.5 mm screws to attach it to the back plate. Refer to Fig. 3 for details.

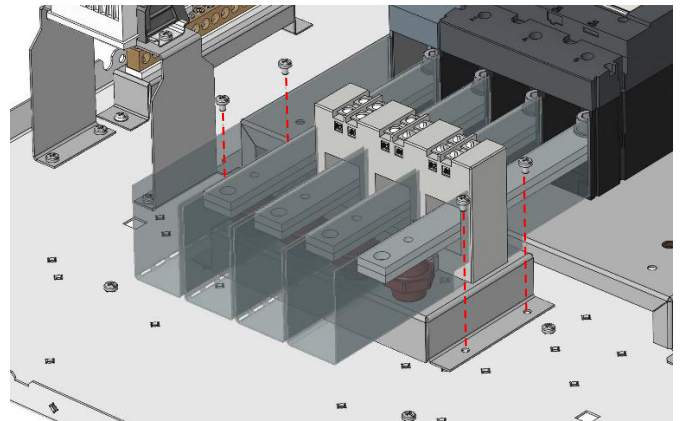
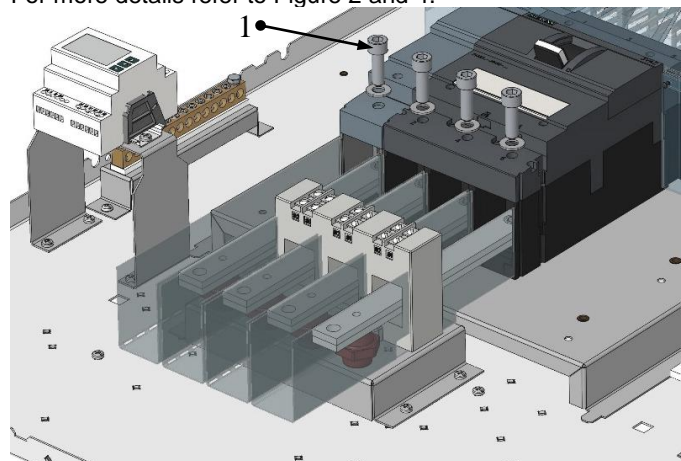


Fig. 3

When the mounting bracket is assembled and attached to the back plate, torque the copper links to recommended settings. For more details refer to Figure 2 and 4.



No.	Description	Torque Setting
1	M10 x 30 mm Socket Head Bolt and Washer	40 Nm

Fig. 4



Wiring Instruction

Connect the meter to the MCB by referring to the wiring diagram in Fig. 5. The voltage loom and 4P MCB are sold separately. The kit needed for the voltage supply is 8GP1802-0DA23.

Connect the meter to the CT, refer to Fig. 5 for wiring details. Use pads and cable ties to secure cable. Fully tighten terminal cages and cable clamps to be torqued as recommended.

If the cables are too long, cut the cable to length ensuring the cable markers remain on both ends of the cable.

Re-fitting Instruction

- Refit the gland plate.
- Refit the shroud to the top of the busbars over the interconnections.
- Before fitting the front cover, check the tightness of **all** connections, including factory made connections.
- Remove the appropriate knockout(s) in the cableway front plate and refit to box.

Meter setup Instruction

- Refer to meter manual to set up the meter to correct ratio (See page 42 to 66 in the Manual)

**VOLTAGE SUPPLY LOOM SOLD SEPARATELY
CATALOGUE NO. 8GP1802-0DA23**

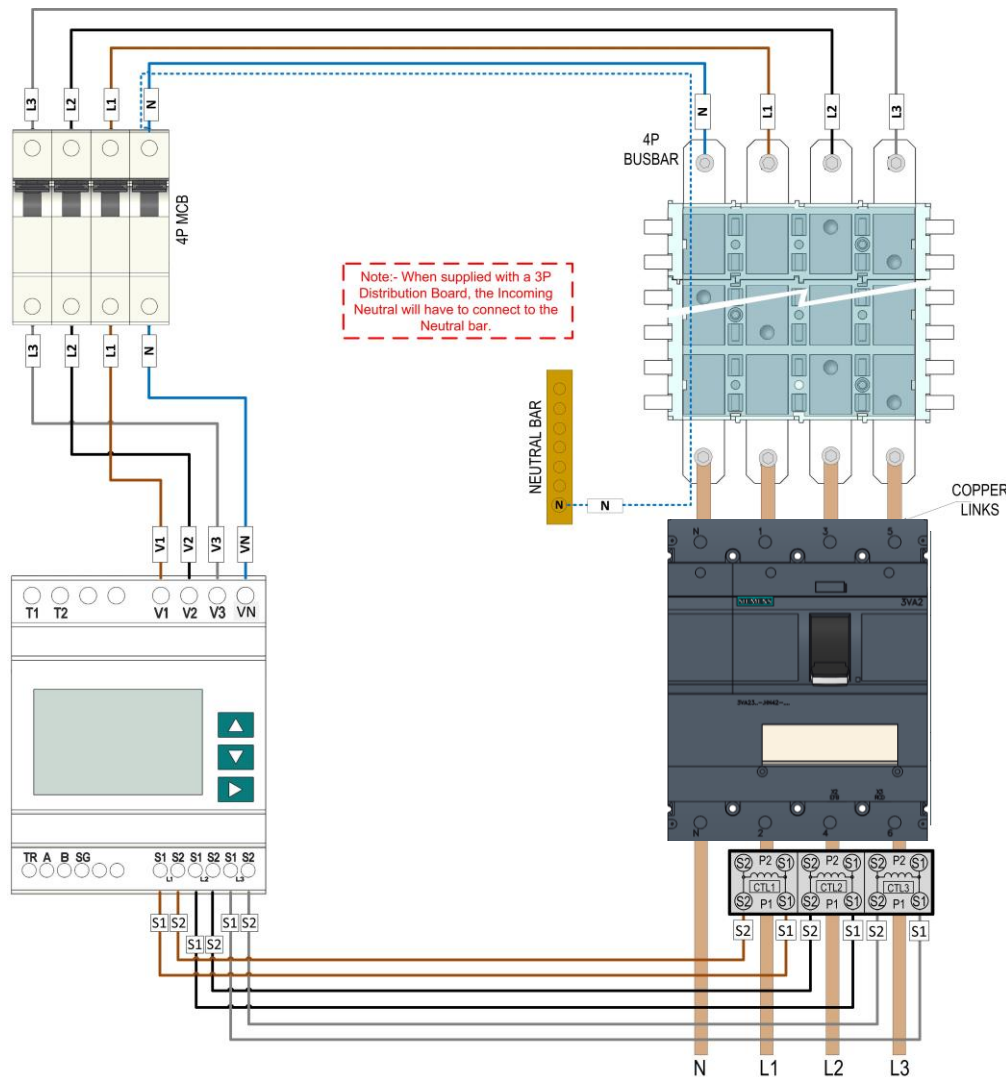


Fig. 5

Manual 7KT PAC1600 energy meter - Online Support



<https://support.industry.siemens.com/cs/document/10975982-7/manual-7kt-pac1600-energy-meter?dti=0&lc=en-GB>