



**DANGER: LIVE PARTS ENCLOSED.** Ensure the unit is installed by a qualified competent person in accordance with all relevant legislation and regulations including building regulations and wiring regulations BS7671. If in doubt, contact a qualified competent person.



#### IMPORTANT INFORMATION

Follow the instructions below before working on or inside the equipment.



- Turn off all power supplies



- Always use a calibrated volt-sensing device to confirm the power is off.

- Replace all devices, doors and covers before turning on the power to this equipment.

- To avoid ingress of swarf and similar material, always remove gland plates to allow cutting/slotting for cable entries.

- Do not use power screwdrivers on electrical connections.

**Failure to follow these instructions could result in serious injury or death.**

#### Fitting Instruction

Remove the door and front plate from the main panel board.

Inset the copper connections, bolts and washers into the Incomer device terminals and connect the assembly to the main busbar. For more details refer to Figure 1.

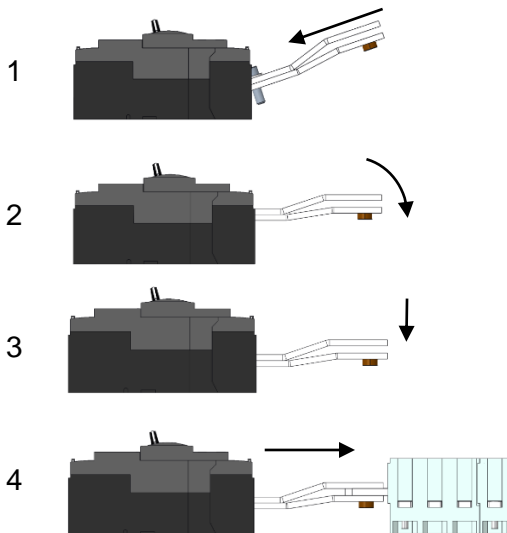


Fig 1.

Fasten the incomer & neutral to the incoming mounting plate, refer to instruction below (Fig. 2) for further details. Torque setting for incoming neutral link is 20 Nm.

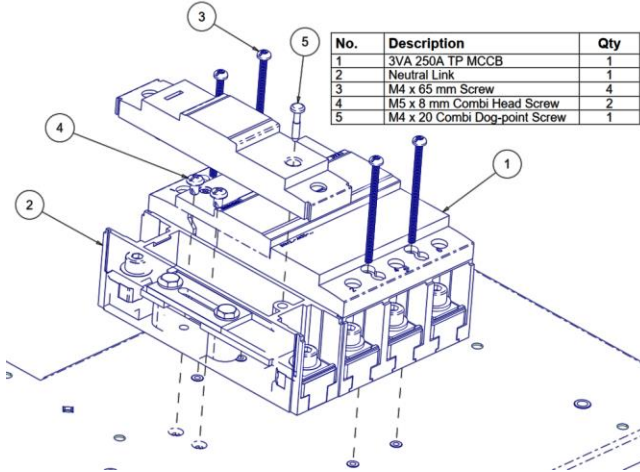


Fig. 2

Torque the copper links, refer to instructions below (Fig. 3) for details.

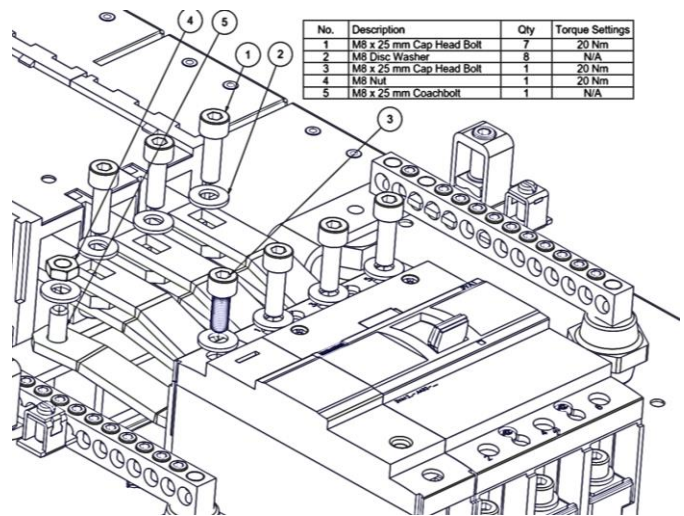


Fig. 3

#### Shroud fitting Instruction

Refer to Fig. 4 for shroud and interphase barrier assembly details.

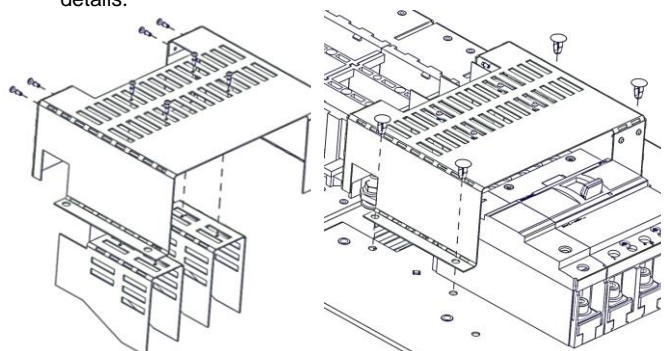


Fig. 4

Fig. 5

Fit the shroud to the top of the busbars/over the copper connections using snap rivets. Refer to Fig. 5 for assembly details.

Before fitting the front cover & door to the main panel board, check the tightness of **all** connections, including factory made connections.