



DANGER: LIVE PARTS ENCLOSED. Ensure the unit is installed by a qualified, competent person in accordance with all relevant legislation and regulations, including building regulations and wiring regulations BS7671. If in doubt, contact a qualified competent person.



IMPORTANT INFORMATION

Follow the instructions below before working on or inside the equipment.



- Turn off all power supplies
- Always use a calibrated volt-sensing device to confirm the power is off.
- Replace all devices, doors and covers before turning on the power to this equipment.
- To avoid ingress of swarf and similar material, always remove gland plates to allow cutting/slotting for cable entries.
- Do not use power screwdrivers on electrical connections.



Failure to follow these instructions could result in serious injury or death.

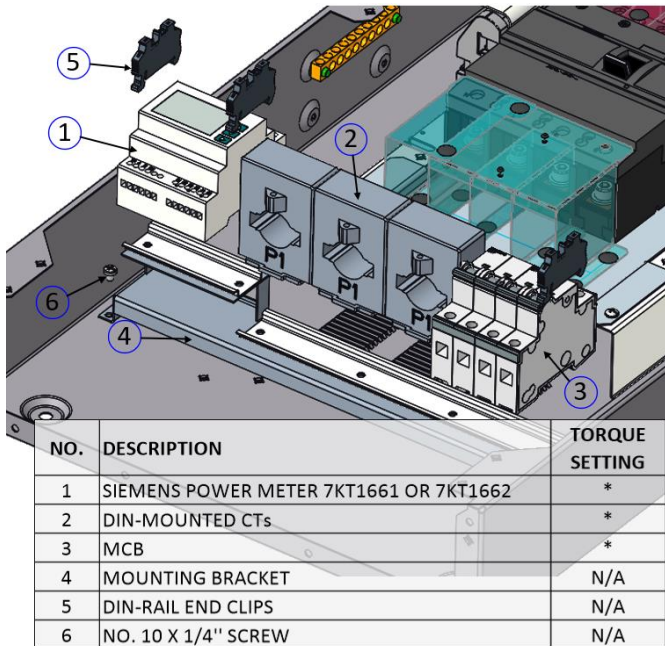
DO NOT USE POWER TOOL SCREWDRIVERS ON ELECTRICAL CONNECTIONS

Fitting & Wiring Instruction

Remove the incomer front plate and the gland plates from the bottom of the distribution board.

Remove the knockout on the front plate to allow the meter to be mounted, ensure there are no sharp edges after removal.

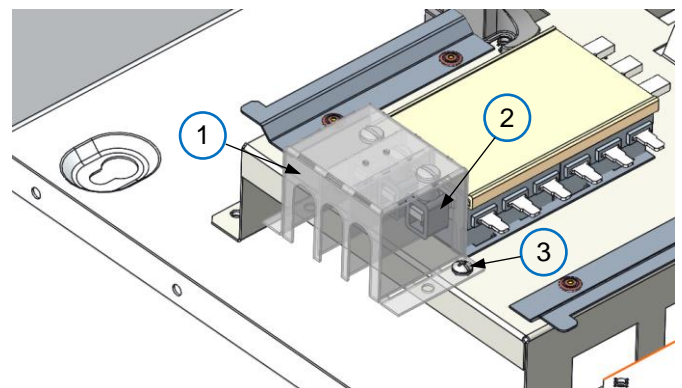
Position and mount the meter, CTs and MCB as shown in Fig. 1 and use the No. 10 x 1/4" screws to attach the mounting bracket to the back plate. Ensure the correct orientation of the CTs by referring to Fig. 1.



* See manufacturer's leaflet

Fig. 1

Assemble and install the terminal shield and busbar screw terminals using 4 off No. 10 x 9.5 mm screws. Refer to Fig. 2 for details.



No.	Description	Torque Setting
1	Terminal Shroud	N/A
2	Screw Terminals	2.3 Nm
3	No 10 x 9.5 mm Screw	N/A

Fig. 2

Wiring Instruction

When the meter support bracket is assembled and attached to the back plate, wire the meter to CTs and MCB by referring to the wiring diagram in Fig. 3.

Connect the top of the busbar to the MCB by referring to the wiring diagram in Fig. 4. If the cables are too long cut the cable to length, ensuring the cable markers remain on both ends of the cable. Reconnect the main power supply by feeding them through the CTs. Secure the voltage supply loom with the adhesive pads.

Meter setup Instruction

7KT1661 – Standard meter. The current transformer ratio has been factory set to 250/5 A

7KT1662 – MID meter. The current transformer ratio has been factory set to 250/5 A and cannot be changed.

NOTE! - Parts of the installation in which the meter kit is to be installed may remain live even when isolated. When working on the unit, switch off the MCB and lock off.

Refer to the meter manual to set up the meter to the correct ratio. Follow the link below. (See page 42 to 66 and in the Manual).



Meter wiring detail

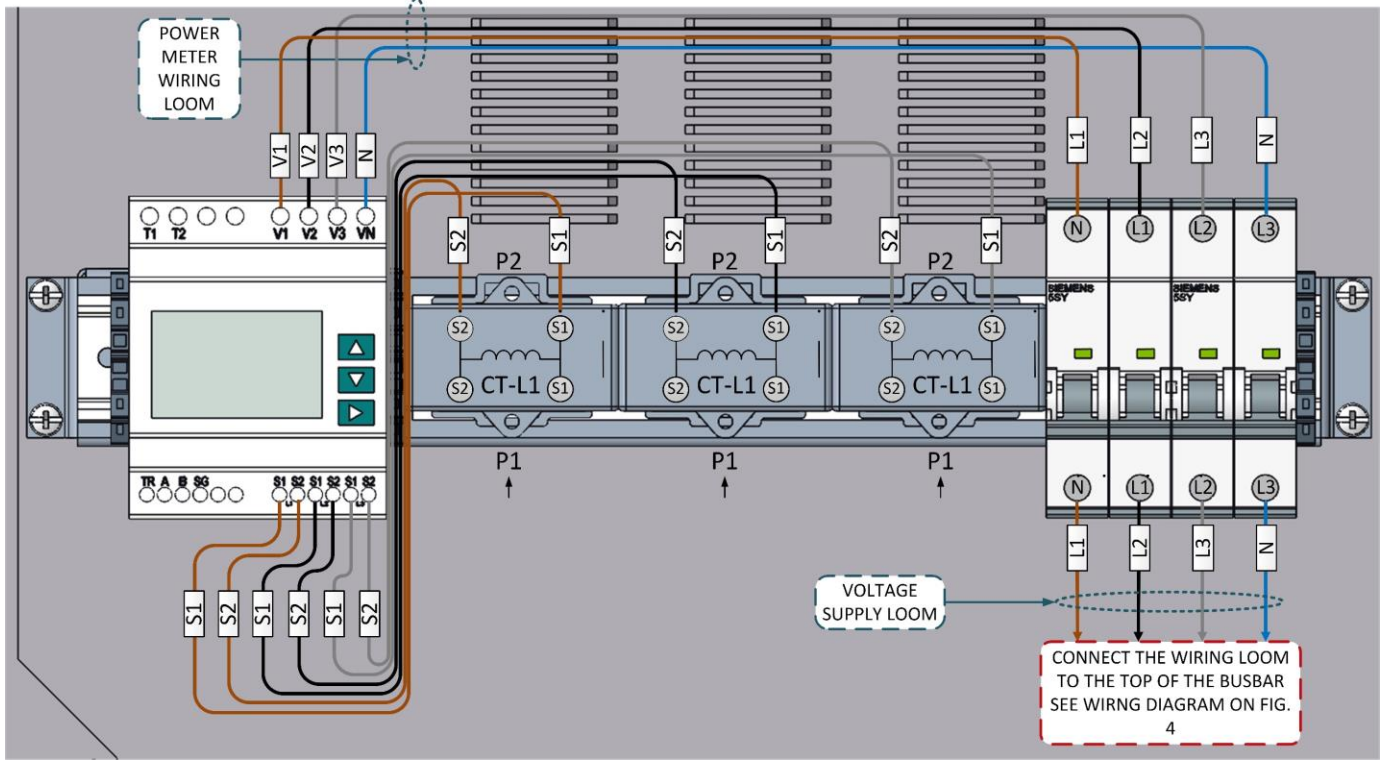


Fig. 3

Power wiring detail

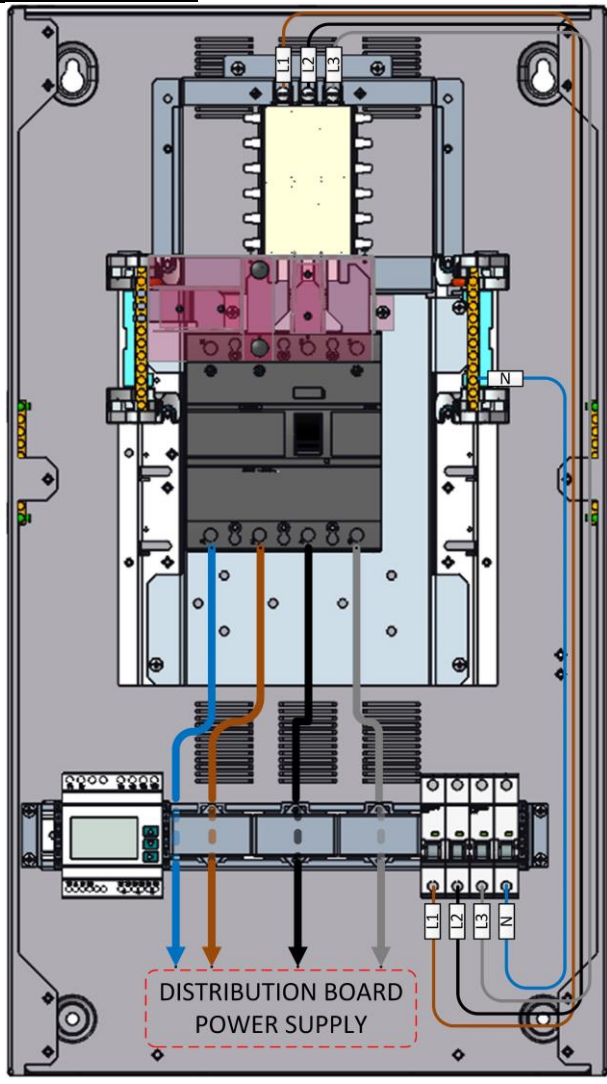


Fig. 4

Re-fitting Instruction

- Check the tightness of **all** connections, including factory-made connections.
- Affix supplied MCB warning labels in a clearly visible area in the following places:
 1. beneath or next to meter MCB
 2. beneath or next to isolator on front shield.
- Fit the terminal shroud to the top of the busbars over the screw terminals
- Refit all gland plates.

Manual 7KT PAC1600 energy meter - Online Support



<https://support.industry.siemens.com/cs/document/109759827/manual-7kt-pac1600-energy-meter?dti=0&lc=en-GB>

