



**DANGER: LIVE PARTS ENCLOSED.** Ensure the unit is installed by a qualified competent person in accordance with all relevant legislation and regulations including building regulations and wiring regulations BS7671. If in doubt, contact a qualified competent person.



#### IMPORTANT INFORMATION

Follow the instructions below before working on or inside the equipment.



- Turn off all power supplies



- Always use a calibrated volt-sensing device to confirm the power is off.

- Replace all devices, doors and covers before turning on the power to this equipment.

- To avoid ingress of swarf and similar material, always remove gland plates to allow cutting/slotting for cable entries.

- Do not use power screwdrivers on electrical connections.

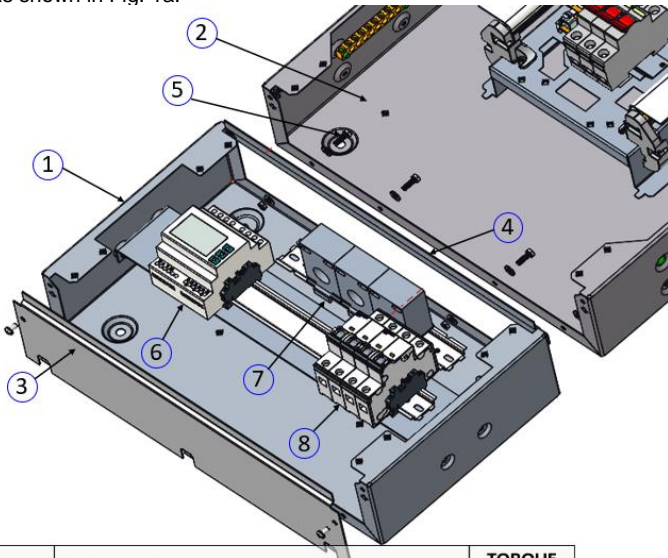
**Failure to follow these instructions could result in serious injury or death.**

#### DO NOT USE POWER TOOL SCREWDRIVERS ON ELECTRICAL CONNECTIONS

#### Fitting & Wiring Instruction

Remove the incomer front plate and the gland plates from the bottom of the Distribution Board and from the Add-On Meter Pack in Enclosure. Disconnect the Distribution Board power supply from the incoming device.

Connect the enclosures using 6 off M5x16 mm bolts, washers and nuts as shown in Fig. 1a.

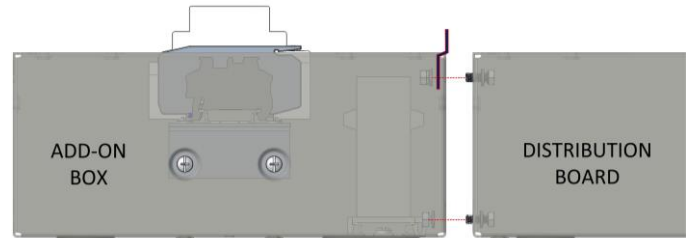


NO.	DESCRIPTION	TORQUE SETTING
1	ADD-ON METER PACK IN ENCLOSURE	N/A
2	DISTRIBUTION BOARD	N/A
3	BOTTOM GLAD PLATE	N/A
4	JOINING RAIL	N/A
5	M5 X 16 mm BOLTS, WASHERS AND NUTS	N/A
6	SIEMENS POWER METER 7KT1661 OR 7KT1662	*
7	DIN-MOUNTED CTs	*
8	4P MCB	*

\* See manufacturer's leaflet for Device torque settings\*

Fig. 1a

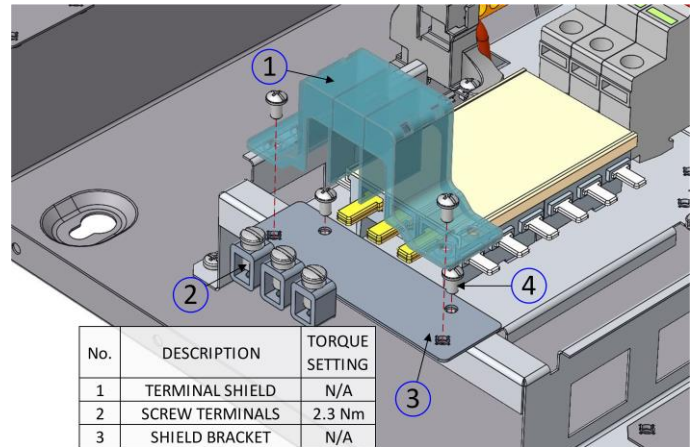
Mount the Joining Rail from inside the Add-On Box. See Fig 1b for more Details.



MOUNT THE ANTI GAP JOINING RAIL FROM INSIDE THE ADD-ON BOX. ORIENT THE OUTER FLANGE TOWARDS THE DISTRIBUTION BOARD

Fig. 1b

Assemble and install the terminal shield, top busbar screw terminals and the shield bracket using 4 off No.10 x 9.5 mm screws. Refer to Fig. 2 for details.



No.	DESCRIPTION	TORQUE SETTING
1	TERMINAL SHIELD	N/A
2	SCREW TERMINALS	2.3 Nm
3	SHIELD BRACKET	N/A
4	No. 10 x 9.5 mm SCREW	N/A

Fig. 2



**Wiring Instruction**

For wiring details refer to the wiring diagram in Fig. 3.

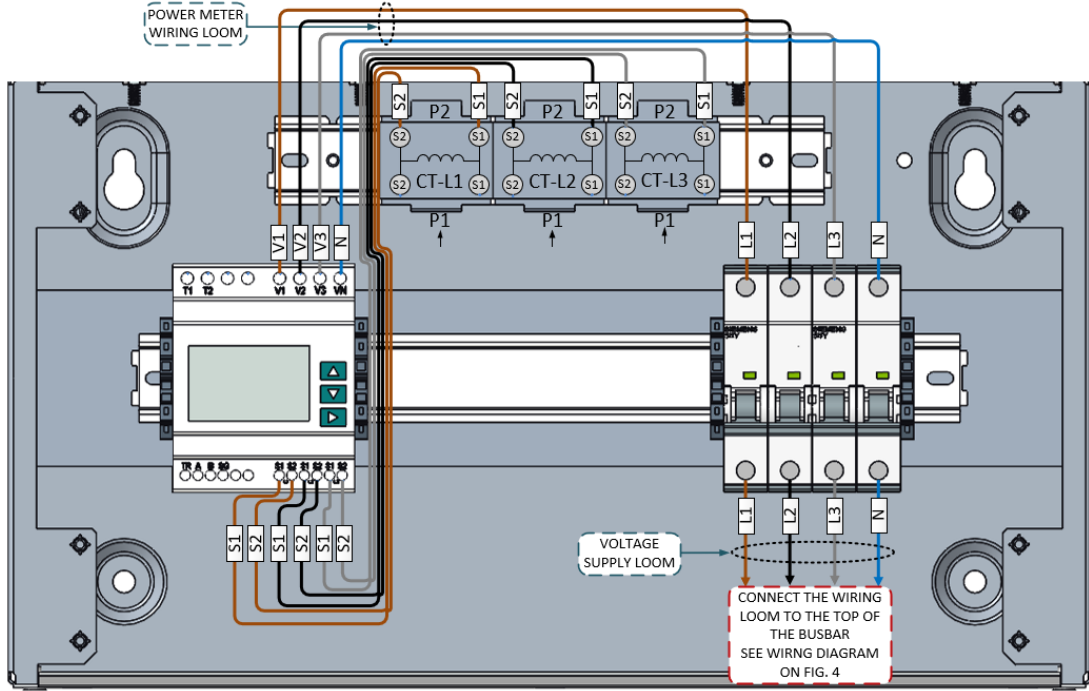
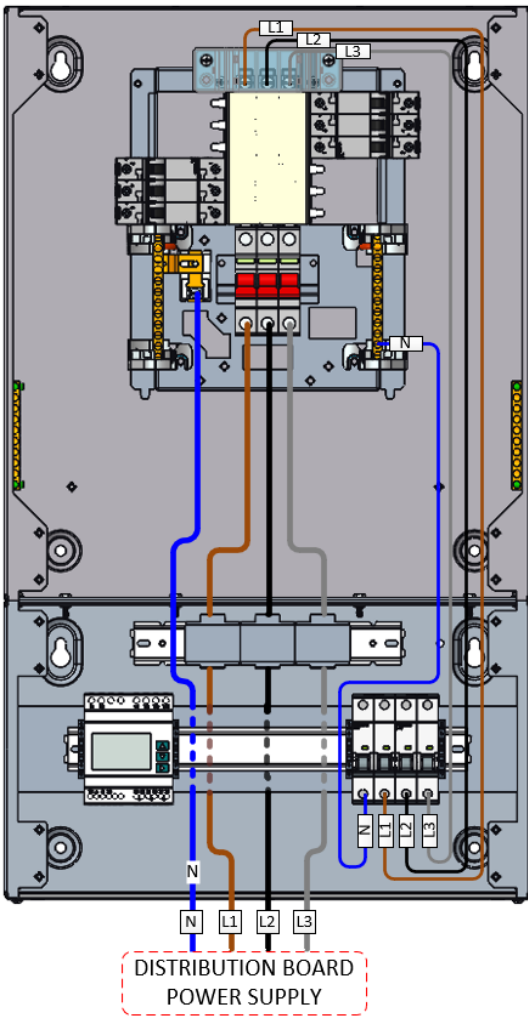


Fig. 3

Fig. 4

Connect the top of the busbar to the MCB and neutral to the DB neutral terminal bar by referring to the wiring diagram in Fig. 4. If the cables are too long cut the cable to length ensuring the cable markers remain on both ends of the cable. Reconnect the main power supply by feeding them through the CTs. Secure the voltage supply loom with the adhesive pads



Electrium Sales Limited, Sharston Road, Manchester M22 4RA  
Tel: 01543 455000 Fax: 01543 455001



Waste electrical products should not be disposed of with household waste. Please recycle where waste disposal facilities exist. Check with your retailer, wholesaler or local authority for recycling advice.





#### Re-fitting Instruction

- Check the tightness of **all** connections, including factory made connections.
- Affix supplied fuse warning labels in a clearly visible area in the following places:
  1. beneath or next to meter fuses
  2. beneath or next to isolator on front shield.
- Fit the terminal shroud to the top of the busbars over the screw terminals
- Refit all gland plates.

#### Meter setup Instruction

Refer to meter manual to set up the meter to correct ratio. Follow the link below. (See page 42 to 66 and in the Manual).

Manual 7KT PAC1600 energy meter - Online Support



<https://support.industry.siemens.com/cs/document/109759827/manual-7kt-pac1600-energy-meter?dti=0&lc=en-GB>

- **7KT1661** – Standard meter. The current transformer ratio has been factory set to 125/5 A
- **7KT1662** – MID meter. The current transformer ratio has been factory set to 125/5 A and it cannot be changed.

