

Assembly

All moulded enclosures and boxes are packed in a semi-assembled condition with four nylon lid screws supplied loose in a plastic bag.

To assemble the lid screws to the lid

Line up the flat portions on the screws with the corresponding flat portions in the lid fixing holes. Firm pressure will be needed on the screw heads to force the two small captivation tags past the flat portions in the lid fixing holes. The screws will then be captivated.

Maintenance

APPLEBY moulded products do not require any special maintenance. If the product becomes particularly dirty it can be cleaned with soap and water. Detergents may be used but the product must be rinsed well.

The use of solvents is not recommended.

To assemble equipment into the enclosure.

All **APPLEBY** moulded enclosures are provided with a comprehensive layout of base slots. These slots, which are either at 90° or 45° to the horizontal/vertical centre lines are designed to receive thread-cutting screws (No. 8BT spaced thread. 4.2mm diameter) at any point along their length. (See illustration).

MOULDED ENCLOSURES

To make a conduit entry

The bottom surface of the enclosure base is provided with one or several 20mm conduit drill-outs. The centre dot in the middle of the drill-out (on the inside of the enclosure for the centre drill-out) is to serve as location for the pilot drills of ring saws etc.

Conduit entries can be drilled or cut at any point Along the side of the enclosure base.

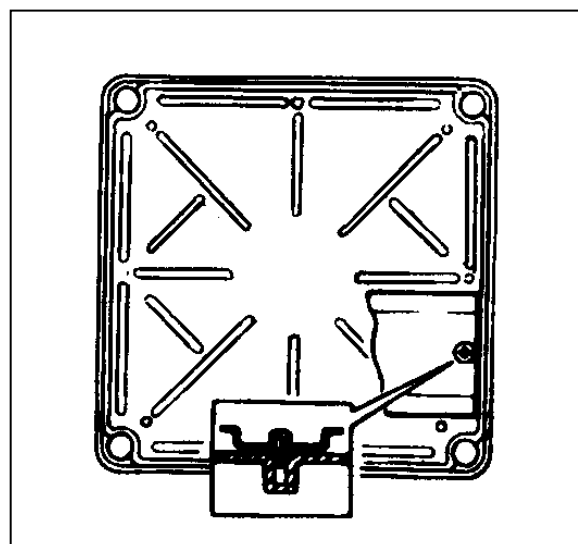
IP – RATINGS

MOULDED ADAPTABLE BOX	IP55
MOULDED ADAPTABLE BOX FITTED WITH OPTIONAL GASKET	IP66
MOULDED ENCLOSURE	IP66
CIRCUIT BREAKER ENCLOSURE	IP65

To assemble lid to base

Offer the lid to the base and ensure that it seats correctly and then tighten the four nylon lid screws. Only moderate tightening of the screws is necessary for an effective seal to maintain IP rating.

Slot pattern in bases for fixing Equipment when using Thread – cutting screws.



MOULDED ADAPTABLE BOXES

To remove knock-outs (where provided) strike knock-out firmly with a small ball ended hammer.

Accessory Assembly Instructions

Moulded Enclosures – IP66 Polycarbonate Range ABS Range

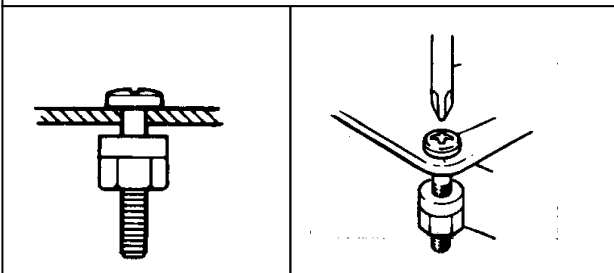
Instructions for using metal base plates

Base plates for moulded enclosures up to and including 150mm x 150mm size are supplied with 4 fixing screws and captive spacers. Base plates for larger enclosures are supplied with 8 fixing screws and captive spacers.

Assembly Stage 1

Assemble screws and spacers to base plate. Ensure spacers are threaded up screw until in contact with plain portion of screw shank. If using 4 screws and spacers these should be assembled into the corner holes of the base plate – when using 8 screws and spacers the additional 4 screws and spacers should be used at the hole provided in the mid point of each base plate side.

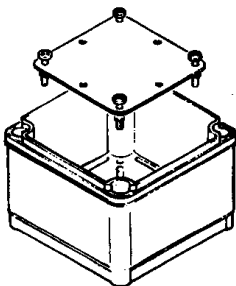
Assembly of screws and sockets to base plate.



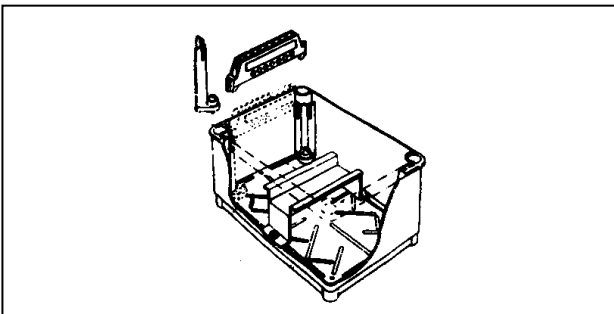
Stage 2.

Position base plate in enclosure base and thread the base plate fixing screws into the holes provided.

Assembly of base into enclosure base.



Circuit breaker enclosures IP65



Instructions for fitting hinges

(Please read carefully before attempting to fit hinges)
The hinges are supplied assembled – do not separate the two parts.

A sketch showing an exploded view of the hinges is shown below.

The only modification required to the enclosures is the cutting of a slot in the edge of the lid – to clear the bottom arm of the hinge. This slot should be 9mm wide and 4mm deep and cut 6mm from the edge of the lid. See the exploded view. Use a “Stanley” type of knife to cut away the polycarbonate or ABS. Ensure both of the slots that cut in the lid are cut on the same side of the lid – the side of the lid on which the hinges are required.

After cutting the slots the top of the hinges can be fitted to the lid – secure using the short screws and special washers provided. Ensure the gasket is not trapped under the special washer.

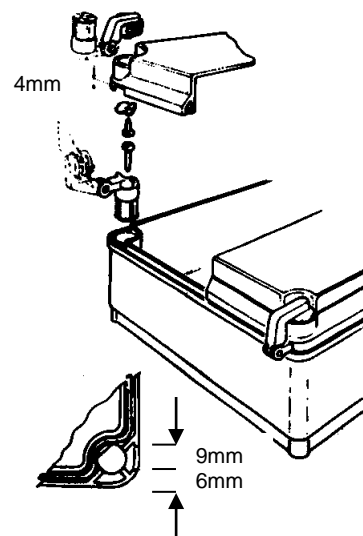
After both hinges are fitted to the lid they can be fitted to the enclosure base. The bottom part of the hinge is cylindrical in shape and divided into 4 segments – rather like an expanding “collet”. This pushes into the female thread that is normally provided for the lid fixing screws. Push the bottom part into the tread and press firmly down and then insert the longer self tapping screws provided. These will expand the collet and grip the tread. Ensure the lid sits correctly.

Note

As the bottom part of the hinges fit into the lid fixing holes provided in the base of the enclosure which are also used to mount the enclosure base onto the wall, it is important that the hinges are fitted to the enclosure base after the base is screwed to the mounting surface.

“EXPLODED” VIEW OF HINGE ASSEMBLY

Hinges are supplied assembled-do not dismantle



PRODUCT RANGE

MOULDED ENCLOSURES

LIST NUMBERS			INTERNAL DIMENSIONS		EXTERNAL DIMENSIONS
POLYCARBONATE RANGE			(mm)	(inches*)	(mm)
GREY LID	CLEAR LID	ABS RANGE	L x W x H	L x W x H	L x W x H
ME 901	ME 902	ME 951	100 x 100 x 75	4 x 4 x 3	110 x 110 x 92
ME 903	ME 904	ME 953	100 x 100 x 100	4 x 4 x 4	110 x 110 x 117
ME 941	ME 942	ME 954	150 x 75 x 75	6 x 3 x 3	160 x 92 x 92
ME 943	ME 944	ME 956	150 x 75 x 100	6 x 3 x 4	160 x 92 x 110
ME 905	ME 906	ME 955	150 x 100 x 75	6 x 4 x 3	160 x 110 x 92
ME 907	ME 908	ME 957	150 x 100 x 100	6 x 4 x 4	160 x 110 x 117
ME 909	ME 910	ME 959	150 x 150 x 75	6 x 6 x 3	160 x 160 x 92
ME 911	ME 912	ME 961	150 x 150 x 100	6 x 6 x 4	160 x 160 x 117
ME 913	ME 914	-	150 x 150 x 150	6 x 6 x 6	160 x 160 x 167
ME 915	ME 916	ME 965	225 x 150 x 75	9 x 6 x 3	235 x 160 x 92
ME 917	ME 918	ME 967	225 x 150 x 100	9 x 6 x 4	235 x 160 x 117
ME 919	ME 920	-	225 x 150 x 150	9 x 6 x 6	235 x 160 x 167
ME 921	ME 922	-	225 x 225 x 75	9 x 9 x 3	235 x 235 x 92
ME 923	ME 924	-	225 x 225 x 100	9 x 9 x 4	235 x 235 x 117
ME 925	ME 926	-	225 x 225 x 150	9 x 9 x 6	235 x 235 x 167
ME 927	ME 928	-	300 x 300 x 100	12 x 12 x 4	310 x 310 x 117
ME 929	ME 930	-	300 x 300 x 150	12 x 12 x 6	310 x 310 x 167

MOULDED ADAPTABLE BOXES

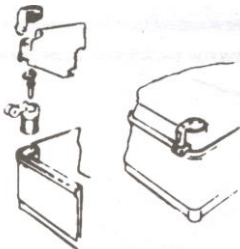
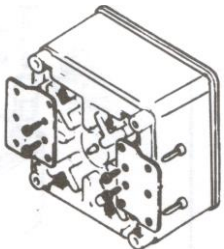
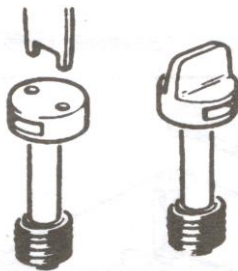
LIST NUMBER	INTERNAL DIMENSIONS		COLOUR	TYPE	PACK QUANTITY
	MM L x W x H	INS L x W x H			
MA751 GP	75 x 75 x 50	3 x 3 x 2	DARK GREY	PLAIN	4
MA751 BP	75 x 75 x 50	3 x 3 x 2	BLACK	PLAIN	4
MA751 WP	75 x 75 x 50	3 x 3 x 2	WHITE	PLAIN	4
MA751 GK	75 x 75 x 50	3 x 3 x 2	DARK GREY	KO	4
MA751*BK	75 x 75 x 50	3 x 3 x 2	BLACK	KO	4
MA751 WK	75 x 75 x 50	3 x 3 x 2	WHITE	KO	4
MA757 GP	100 x 100 x 50	4 x 4 x 2	DARK GREY	PLAIN	4
MA757 BP	100 x 100 x 50	4 x 4 x 2	BLACK	PLAIN	4
MA757 WP	100 x 100 x 50	4 x 4 x 2	WHITE	PLAIN	4
MA757 GK	100 x 100 x 50	4 x 4 x 2	DARK GREY	KO	4
MA757 BK	100 x 100 x 50	4 x 4 x 2	BLACK	KO	4
MA757 WK	100 x 100 x 50	4 x 4 x 2	WHITE	KO	4
MA766 GP	150 x 150 x 50	6 x 6 x 2	DARK GREY	PLAIN	2
MA766 BP	150 x 150 x 50	6 x 6 x 2	BLACK	PLAIN	2
MA766 WP	150 x 150 x 50	6 x 6 x 2	WHITE	PLAIN	2
MA766 GK	150 x 150 x 50	6 x 6 x 2	DARK GREY	KO	2
MA766 BK	150 x 150 x 50	6 x 6 x 2	BLACK	KO	2
MA766 WK	150 x 150 x 50	6 x 6 x 2	WHITE	KO	2

*Nominal Maximum Internal Height

CIRCUIT BREAKER ENCLOSURE

LIST NUMBER	DESCRIPTION
CBE/3	3 MODULE MINI CIRCUIT BREAKER
CBE/4	4 MODULE MINI CIRCUIT BREAKER
CBE3/EK	EARTHING KIT – 3 MODULE
CBE3/NK	NEUTRAL KIT – 3 MODULE
CBE4/EK	EARTHING KIT – 4 MODULE
CBE4/NK	NEUTRAL KIT – 4 MODULE
CBE/BS	BLANKING STRIP – 6 x ½ MODULE

ACCESSORIES

LIST NUMBER	DESCRIPTION	
Metal Base Plates ME/BP3 TBA ME/BP4 ME/BP5 ME/BP6 ME/BP7 ME/BP9	Pre-coated Galvanised Steel. For mounting of equipment if base slots not suitable. Supplied complete with screws and captive spacers. To fit enclosures: All 100mm x 100mm enclosures, list numbers ME 901, 902, 903, 904, 951, 953. All 150mm x 75mm enclosures, list numbers ME 941, 942, 943, 944, 954, 956. All 150mm x 100mm enclosures, list numbers ME 905, 906, 907, 908, 955, 957. All 150mm x 150mm enclosures, list numbers ME 909, 910, 911, 912, 913, 914, 959, 961. All 225mm x 150mm enclosures, list numbers ME 915, 916, 917, 918, 919, 920, 965, 967. All 225mm x 225mm enclosures, list numbers ME 921, 922, 923, 924, 925, 926. All 300mm x 300mm enclosures, list numbers ME 927, 928, 929, 930.	
Hinges* (See overleaf) ME/HLG ME/HDG	To provide a hinged lid. Can be used on any length of side, IP66 rating maintained. Easy to fit, no drilling. Supplied in pairs (1 pair required/ enclosure) with fitting instructions To fit all Polycarbonate Range To fit all ABS Range *Patent applied for	
External Fixing Brackets (See illustration) ME/FB	To provide an alternative means of mounting enclosure. IP66 rating maintained. Supplied in pairs, with fitting instructions. All enclosures up to and including 150mm x 150mm require 1 pair. All enclosures above 150mm x 150mm require 2 pairs.	
Secret Head Screws (See illustration) ME/SSLG ME/SSDG	Access to installed equipment by special key. Four Secret Head Screws with key – for Polycarbonate Range Four Secret Head Screws with key – for ABS Range.	
Thumb Screws (See illustration) ME/THLG ME/THDG	Access to installed equipment – no tool required. Four Thumb Screws – for Polycarbonate Range. Four Thumb Screws – for ABS Range.	
Hinges	External Fixing Brackets	Secret Head Screws/Thumb Screws
		

APPLEBY

Electrium Sales Limited, Walkmill Lane, Cannock, WS11 0XE, England
Tel: 01543 455000 Fax: 01543 455001



Waste electrical products should not be disposed of with household waste.
Please recycle where waste disposal facilities exist.
Check with your retailer, wholesaler or local authority for recycling advice.



APPLEBY

Moulded Products

Installation and Assembly Instructions

To mount box onto a flat surface

The corner holes that are threaded to receive the nylon lid fixing screws also provide the mounting facility for the base of the box.

Use one of the following types of screws.

No 8	Roundhead woodscrew
M5	Socket head cap screw
M5	Cheese head screws
M4	Pan head screw

(See illustration)

To wire seal lid fixing screws (if required)

The lid fixing screws are provided with a slot through the screw head. By drilling a small hole in the corner "turret" which surrounds the screw head it is possible to pass a sealing wire through the "turret" and screw head and up through the screw driver slot – thus preventing loosening of the screw.

(See illustration)

