



**DANGER: LIVE PARTS ENCLOSED.** Ensure the unit is installed by a qualified competent person in accordance with all relevant legislation and regulations including building regulations and wiring regulations BS7671. If in doubt, contact a qualified competent person.



**IMPORTANT INFORMATION**

Follow the instructions below before working on or inside the equipment.



- Turn off all power supplies
- Always use a calibrated volt-sensing device to confirm the power is off.
- Replace all devices, doors and covers before turning on the power to this equipment.
- To avoid ingress of swarf and similar material, always remove gland plates to allow cutting/slotting for cable entries.
- Do not use power screwdrivers on electrical connections.



**Failure to follow these instructions could result in serious injury or death.**

**DO NOT USE POWER TOOL SCREWDRIVERS ON ELECTRICAL CONNECTIONS**

- Remove the front shield from the DB (Distribution Board).
- Unscrew the existing screw (S1) and fit DIN bracket to bottom right hand side of DB using screws provided in the kit. See figure 1.0. Reinstall screw S1.
- Fit surge assembly onto DIN bracket, see Fig 1.1.
- Remove upper right hand side knockout from DB shield. Place shield back onto the DB so that the surge arrester protrudes through the newly created aperture. Adjust the position of the surge arrester on the DIN bracket until the shield aligns with the DB enclosure. Remove shield and fix surge arrester at defined position using DIN clips provided.
- Connect the supplied MCB to the lower right hand side busbar position as shown in Wiring Diagram - Fig. 2. Torque as per DB instruction leaflet.
- Connect the brown marked cable between the L1 phase of MCB and L1 terminal of surge device, black marked cable between L2 terminals and grey marked cable between L3 terminals as shown in wiring diagram on Fig. 2.
- Connect the blue marked cable between the DB neutral bar and the surge arrester neutral terminal as shown in Fig. 2.
- Connect the green and yellow earth cable between the DB earth bar and the surge arrester earth terminal (see Fig. 2).
- Fully tighten all connections to the torque settings as recommended in the distribution board instruction leaflet and surge device leaflet.
- NOTE - Disconnect the supply to the device or unplug the protective module before performing an insulation measurement in the system. Otherwise inaccurate measurements are possible. Reconnect the supply /re-insert the module into the base element after the insulation measurement.
- Before fitting the front shield, check the tightness of **all** connections, including factory made connections.
- Re-fit DB shield and place insulation testing label onto the shield (supplied with surge device), below the surge device.
- Switch on MCB supply to surge device.
- NOTE – for further instructions on surge device, replacement of the plug-in module and more, please refer to surge device leaflet.

Fig. 1.0

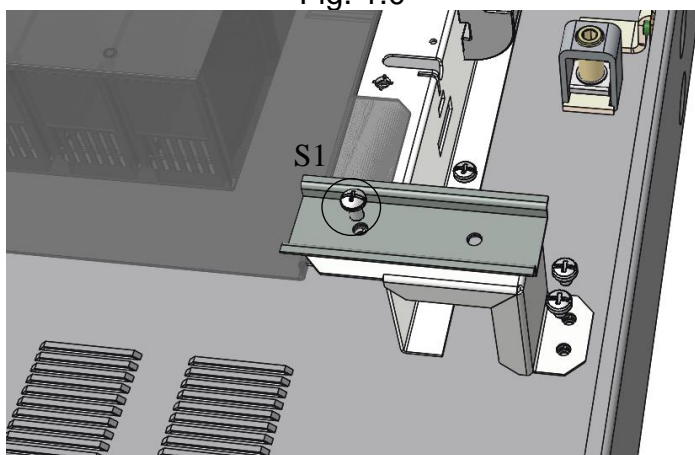
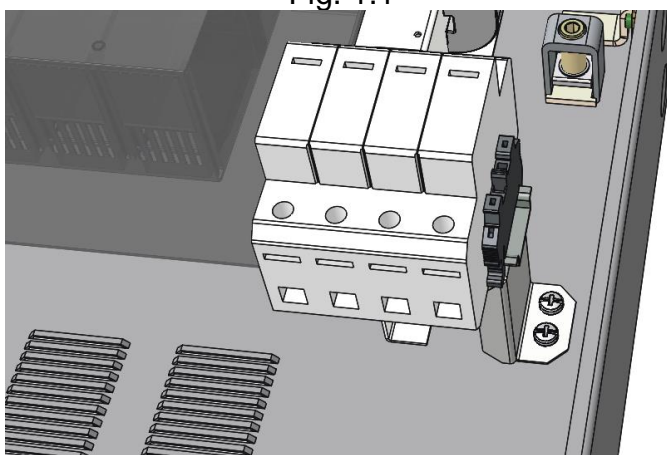
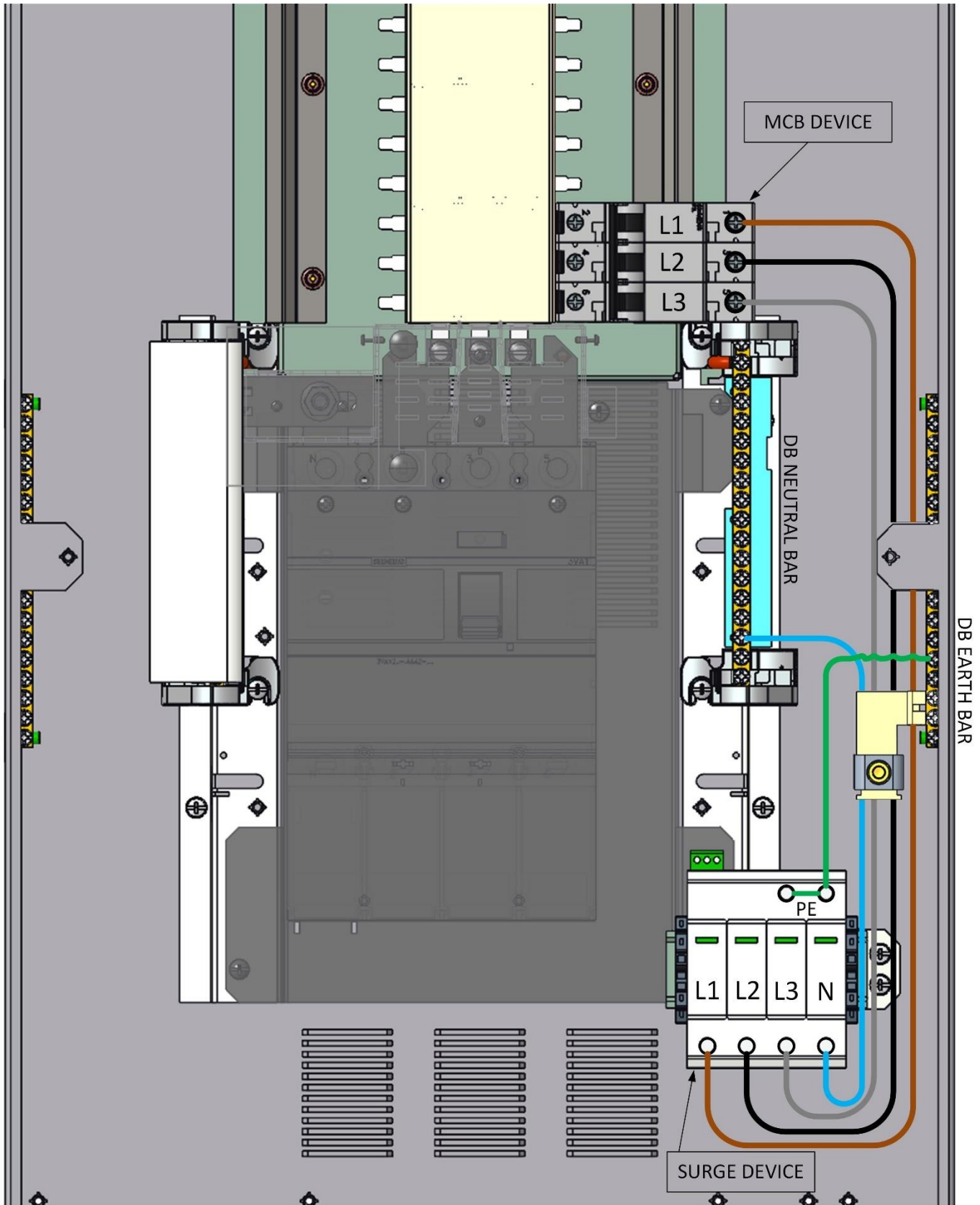


Fig. 1.1





Wiring Diagram - Fig. 2