

1. 250A 3P+N 3VA MCCB
2. 250A 3P+N Switch Disconnector

## INSTALLATION INSTRUCTIONS

### CATALOGUE No:

1. NH250LTPMB
2. NH250LTPSD

BS EN 61439-3  
IEC 61439-3  
BS EN 60947-2

### Technical Support

Tel: +44 (0) 1543 438320

Fax: +44 (0) 1543 438321

Email: [wylex.technical@electrium.co.uk](mailto:wylex.technical@electrium.co.uk)

## GENERAL WARNINGS



**DANGER: LIVE PARTS ENCLOSED.** Ensure the unit is installed by a qualified competent person in accordance with all relevant legislation and regulations including building regulations and wiring regulations BS7671. If in doubt, contact a qualified competent person.



### IMPORTANT INFORMATION

Follow the instructions below before working on or inside the equipment.



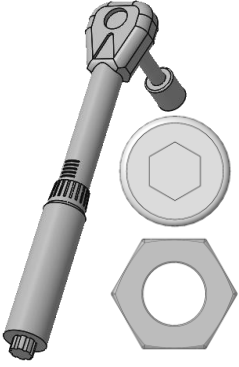
- Turn off all power supplies
- Always use a calibrated volt-sensing device to confirm the power is off.
- Replace all devices, doors and covers before turning on the power to this equipment.
- To avoid ingress of swarf and similar material, always remove gland plates to allow cutting/slotting for cable entries.
- Do not use power screwdrivers on electrical connections.



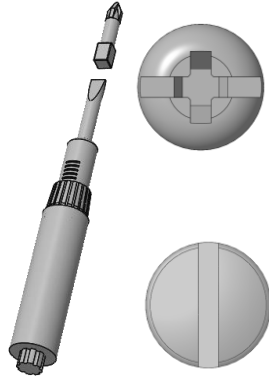
**Failure to follow these instructions could result in serious injury or death.**



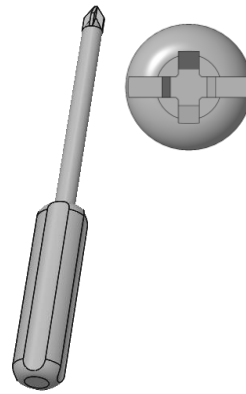
## Required Tools



Torque Wrench, M8, M6



Torque Screwdriver

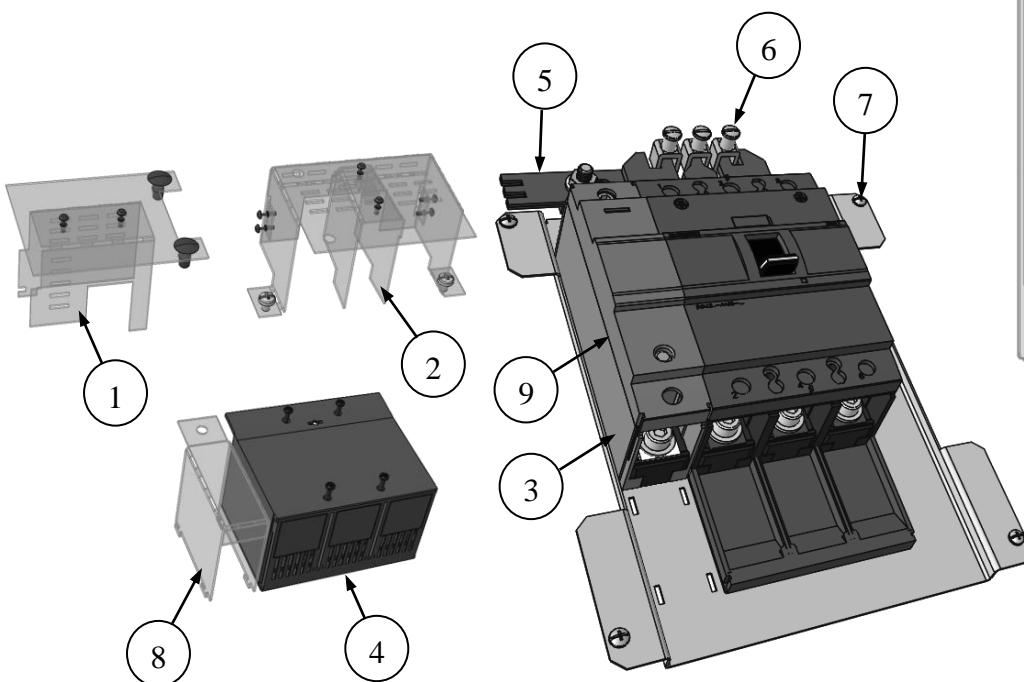
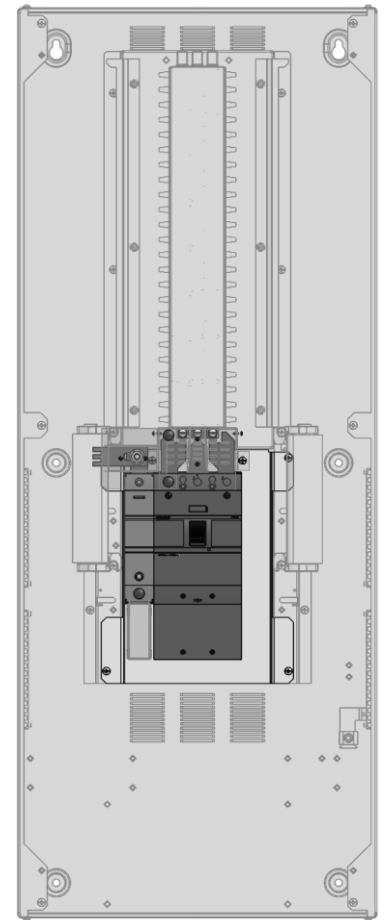


Pozi Screwdriver

## Content

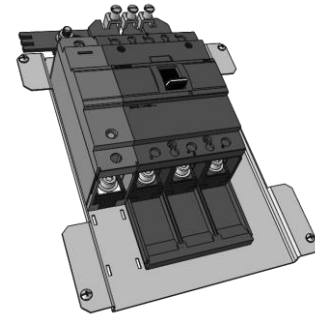
No.	Description	QTY
1	Neutral Shroud A	1
2	Phase Shroud	1
3	MCCB / Switch-disconnector assembly	1
4	MCCB / Switch-disconnector Shroud	1
5	Neutral "T" Connector	1
6	Phase Terminal Block	3
7	M5 10 mm Screw	6
8	Neutral Shroud B	1
9	Neutral Mouldng Cover	1

TABLE 1

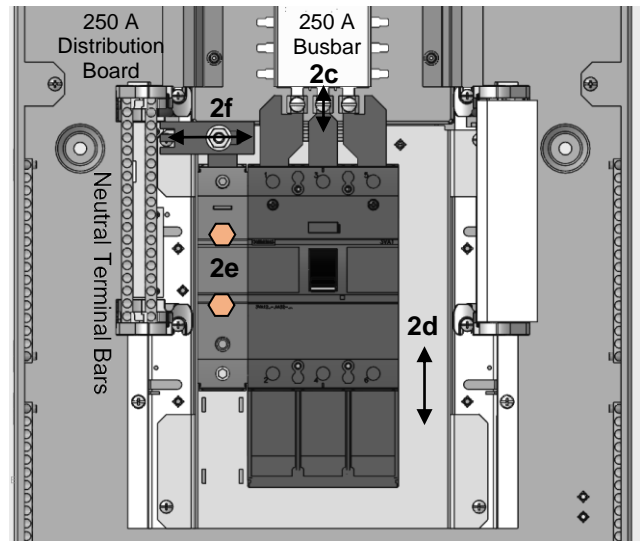


# Assembly

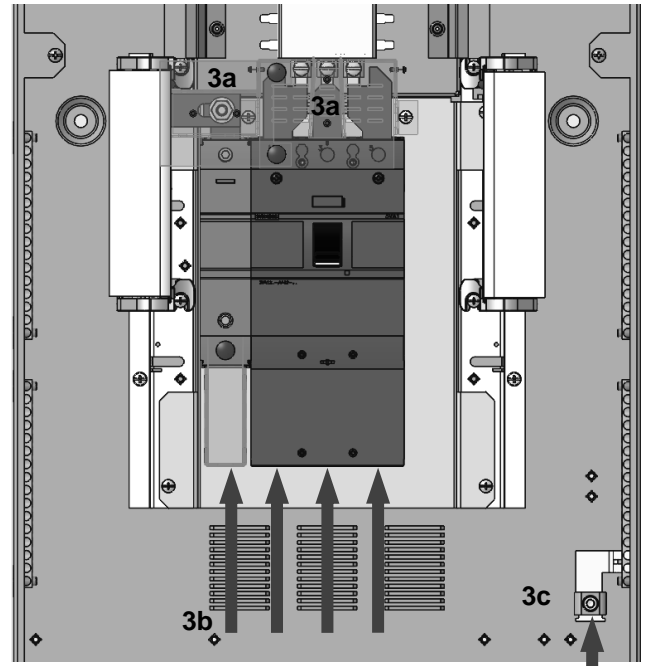
- 1
  - a) Remove the Neutral Shrouds A and B (1)(8)
  - b) Unscrew the Phase Shroud and remove it (2)
  - c) Unscrew the MCCB / Switch-disconnector Shroud and remove it (4)
  - d) Loosen the Phase Terminal Blocks (6)
  - e) Loosen the the Neutral "T" Connector and slide it to the RHS (5)



- 2
  - a) Remove the doors and the covers from the 250A Distribution Board
  - b) Insert the MCCB / Switch-disconnector assembly (3) in to the 250 A Distribution Board
  - c) Slide the Phase Terminal Blocks (6) on to the 250 A busbar
  - d) Slide the MCCB / Switch-disconnector assembly (3) in to the correct position and use the 4 x M5 10 mm Screws to fasten it in place
  - e) Remove the Neutral Moulding Cover (9) and ensure that the copper link in the right position. Tighten to correct torque (See table 2) and re-assemble the cover.
  - f) Slide the Neutral 'T' connector(5) in to the Neutral Terminal Bar
  - g) Use the correct torque setting to tighten the phase and neutral connectors (See table 2)



- 3
  - a) Reassemble the Phase Shroud (2) and the Neutral Shroud A (1)
  - b) Connect the main Neutral and Phase incoming connections to the incoming device
  - c) Connect the main Protective connector to the 250 A Distribution Board
  - d) Before assembling, check and re-tighten all factory connections (See table 2)
  - e) Reassemble the cover and the doors on the 250 A Distribution Board



TERMINAL	Max Cable Capacity	TORQUE Nm
Phase Terminal Blocks	90 mm <sup>2</sup>	6 Nm
Neutral Terminal Bar screws	25 mm <sup>2</sup>	6 Nm
Neutral 'T' connector - M8 nut	N/A	20 Nm
Main incoming device terminals	*25 – 150 mm <sup>2</sup>	*20 Nm
Main Incoming Protective terminal	120 mm <sup>2</sup>	12 Nm
Neutral Moulding Cover Connector M6	120 mm <sup>2</sup>	10 Nm
*use manufacturer's data sheet provided with the incoming kit		
TABLE 2		



## 250A DB 4P Incoming Kit Technical Information

Main characteristics in accordance with BS EN 61439-3		
	250A DB 3P+N MCCB Incomer Kit NH250LTPMB	250A DB 3P+N SWD Incomer Kit NH250LTPSD
Operating voltage	230/400 V	230/400 V
Operating frequency	50/60 Hz	50/60 Hz
Rated operational current	250 A	250 A
Rated short circuit withstand current <b>MAIN BUSBAR</b>	12 kA / 1 s - 24 kA peak 17 kA / 0.25 s - 34 kA peak	12 kA / 1 s - 24 kA peak 17 kA / 0.25 s - 34 kA peak
Rated Conditional short-circuit current <b>INCOMING DEVICE</b>	25 kA @ 400 V	25 kA @ 400 V
Rated Conditional short-circuit current <b>OUTGOING DEVICES</b>	16 kA @ 400 V	16 kA @ 400 V
<b>Pollution degree</b>		
Environmental conditions for which the panel is intended	2 Minimum	
<b>Operating temperature</b>		
This is an average of 24 h maximum	-5 to +40 °C	
<b>Storage temperature</b>		
This is an average of 24 h maximum	-5 to +40 °C	
<b>Humidity</b>		
At maximum temperature (+40 °C)	50 %	



## Main characteristics in accordance with BS EN 60947-2

Device Catalogue No	3VA1225-4EF32-0AA0	3VA1225-1AA32-0AA0
Product designation	Molded case circuit breaker	Switch disconnecter
Rated insulation voltage $U_i$	800 V	800 V
Max. rated operational voltage $U_e$ with DC	500 V	500 V
Active power loss / for rated value of the current / at AC / in hot operating state / per pole	19 W	N/A
Power loss [W] / maximum	57 W	57 W
Mechanical service life (switching cycles) / typical	20 000	15 000
Electrical endurance (switching cycles) / at AC-1 / at 380/415 V 50/60 Hz	8 000	N/A
Max. rated operational current	250 A	250 A
Switching capacity class of the circuit breaker	S	N/A
Breaking capacity maximum short-circuit current ( $I_{cu}$ )	@ 240 V 55 kA @ 415 V 36 kA @ 440 V 25 kA @ 500 V 10 kA @ 690 V 7 kA	N/A
Breaking capacity operating short-circuit current ( $I_{cs}$ )	@ 240 V 55 kA @ 415 V 36 kA @ 440 V 25 kA @ 500 V 10 kA @ 690 V 5 kA	N/A
Short-circuit current making capacity ( $I_{cm}$ )	@ 240 V 121 kA @ 415 V 75.6 kA @ 440 V 52.5 kA @ 500 V 17 kA @ 690 V 11.9 kA	N/A
Adjustable response value current / li min.	1250 A	N/A
Adjustable response value current / li max	2500 A	N/A
Product extension / optional / motor drive	YES	YES
Protection class IP / on the front	IP40	IP40
For more information about the MCCB device visit: <a href="https://mall.industry.siemens.com/mall/en/de/Catalog/Product/3VA1225-4EF32-0AA0">https://mall.industry.siemens.com/mall/en/de/Catalog/Product/3VA1225-4EF32-0AA0</a>		
For more information about the SWD device visit: <a href="https://mall.industry.siemens.com/mall/en/WW/Catalog/Product/3VA1225-1AA32-0AA0">https://mall.industry.siemens.com/mall/en/WW/Catalog/Product/3VA1225-1AA32-0AA0</a>		



# 250A Distribution Boards – Incoming Kits – Options

For more information and full product range visit:

<https://www.electrium.co.uk/about/our-brands/wylex>



**250A DB 4P MCCB  
Incomer Kit**

- NH250L4PMB

**250A DB 4P SWD  
Incomer Kit**

- NH250L4PSD

**250A DB 3P+N MCCB  
Incomer Kit**

- NH250LTPMB

**250A DB 3P+N SWD  
Incomer Kit**

- NH250LTPSD

**250A Direct Connection Kit**

- NH250DCK

Description	Catalogue Number	NEW Dist. Board Catalogue Number Coming soon
4 Way Distribution Board	NHTN2540MR	NHTN04L250
6 Way Distribution Board	NHTN2560MR	NHTN06L250
8 Way Distribution Board	NHTN2580MR	NHTN08L250
12 Way Distribution Board	NHTN25120MR	NHTN12L250
16 Way Distribution Board	NHTN25160MR	NHTN16L250
20 Way Distribution Board	NHTN25200MR	NHTN20L250
24 Way Distribution Board	NHTN25240MR	NHTN24L250

