



# Installation instructions, Photovoltaic Installations



## IMPORTANT INFORMATION

*This unit should be installed by a qualified competent person in accordance with all relevant legislation and regulations including building regulations and wiring regulations BS7671. If in doubt contact a qualified competent person.*

- Turn off all power supplying this equipment before working on or inside the equipment.
- Always use a properly rated volt-sensing device to confirm the power is off.
- Replace all devices, doors and covers before turning on the power to this equipment.
- To avoid ingress of swarf and similar material, always remove gland plates to allow cutting/slotting for cable entries.
- *These units have two supplies.*

***Failure to follow these instructions could result in serious injury or death.***

## **DO NOT USE POWER TOOL SCREWDRIVERS ON ELECTRICAL CONNECTIONS**

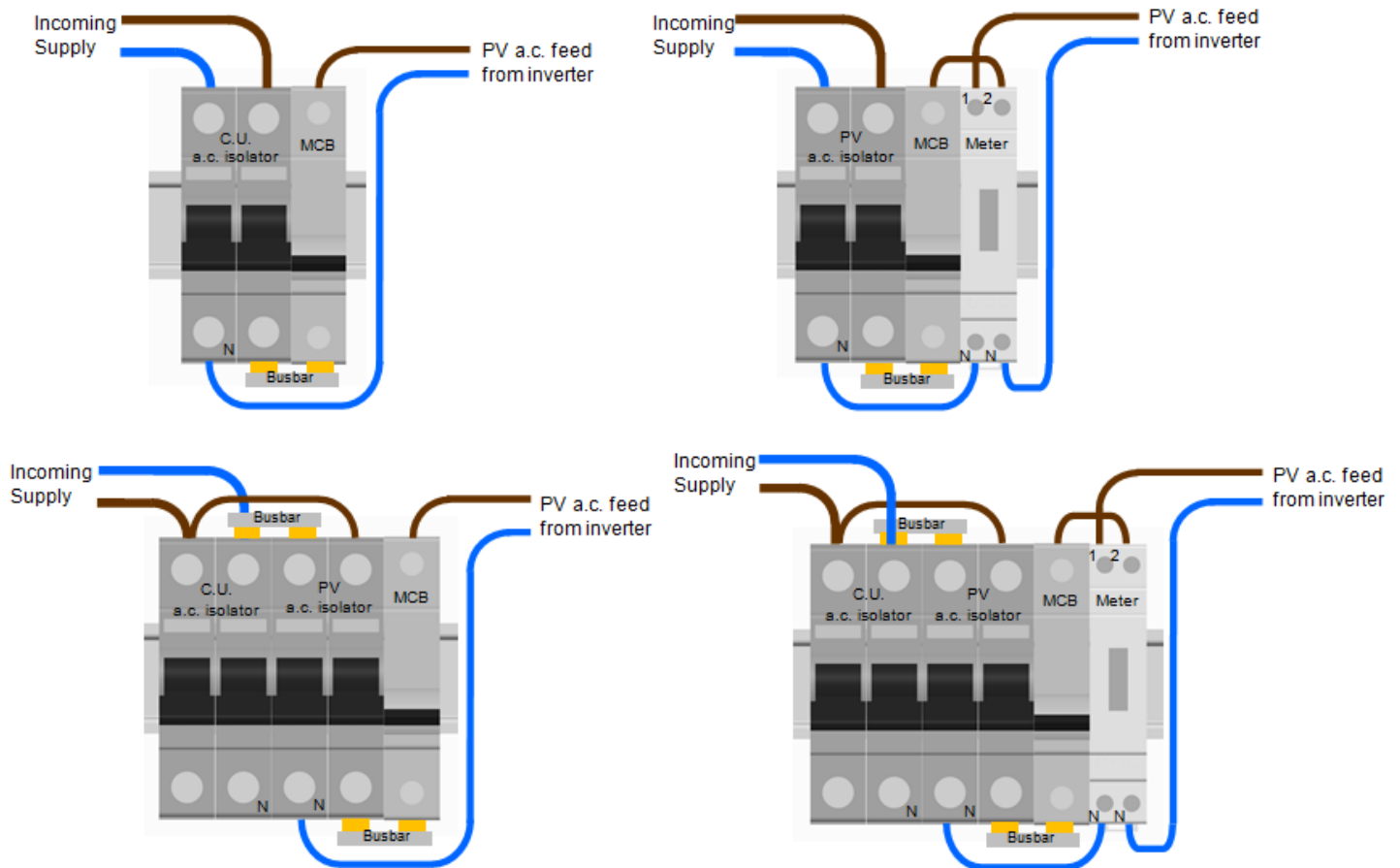
To prevent damage to the inverter it is important that the inverter manufacturers' instructions are followed.

- To switch OFF: First isolate the PV ac Isolator, then the DC isolator.
- To switch ON: First close the DC isolator, then the PV ac isolators.

## **Wiring diagrams**

These units should have external wiring that is insulated and sheathed.

It is important for units with metering, that the ac feed from the inverter is connected directly to the meter 'incoming' terminals (Live terminal 1 & Neutral terminal N).



Electrium Sales Limited, Walkmill Lane, Cannock, WS11 0XE  
Tel: 01543 455000 Fax: 01543 455001

LF1147-5



Waste electrical products should not be disposed of with household waste.  
Please recycle where waste disposal facilities exist.  
Check with your retailer, wholesaler or local authority for recycling advice.

