



Installation Instructions

Earth Leakage Kit
35mm & 70mm CT



DANGER: LIVE PARTS ENCLOSED. Ensure the unit is installed by a qualified competent person in accordance with all relevant legislation and regulations including building regulations and wiring regulations BS7671. If in doubt, contact a qualified competent person.



IMPORTANT INFORMATION

Follow the instructions below before working on or inside the equipment.



• Turn off all power supplies



• Always use a calibrated volt-sensing device to confirm the power is off.

• Replace all devices, doors and covers before turning on the power to this equipment.

• To avoid ingress of swarf and similar material, always remove gland plates to allow cutting/slotting for cable entries.

• Do not use power screwdrivers on electrical connections.

Failure to follow these instructions could result in serious injury or death.

DO NOT USE POWER TOOL SCREWDRIVERS ON ELECTRICAL CONNECTIONS

NOTE: - The aperture of the CT is 35mm/70mm depending on the variant used.

Fitting Instruction

Remove the door and front plate from the main panel board and cableway. Fit the CT mounting bracket to the bottom of the cableway as shown in fig. 1.

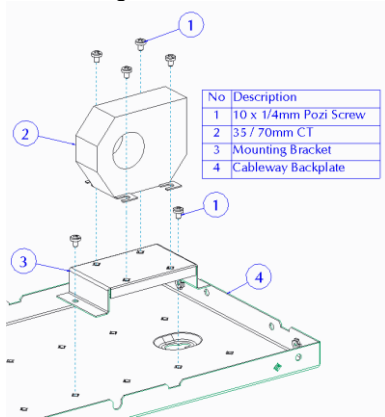


Fig. 1

Ensure you observe the correct primary polarity of the CT (P1 – supply to CT, P2 load from CT). Refer to Fig. 5 for more details. Ensure the orientation is correct when fitting the earth leakage device to the cableway door. Refer to Fig. 2 for fitting details.

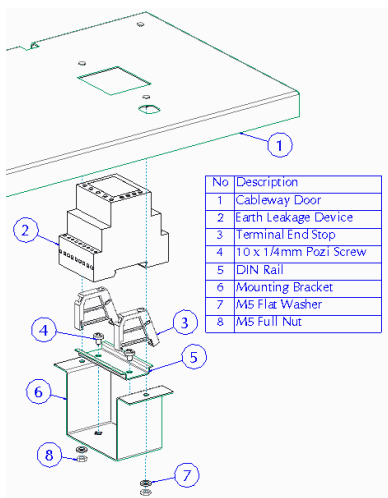


Fig. 2

When fitting the shunt trip device into the MCCB device, refer to the instructions in Fig. 3.

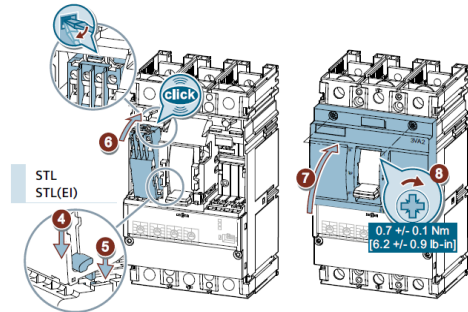
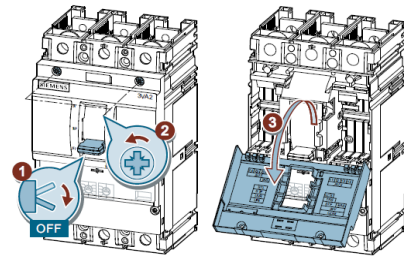


Fig. 3

Blank off the apertures that are not going to be used in the cableway by referring to Fig. 4 for details

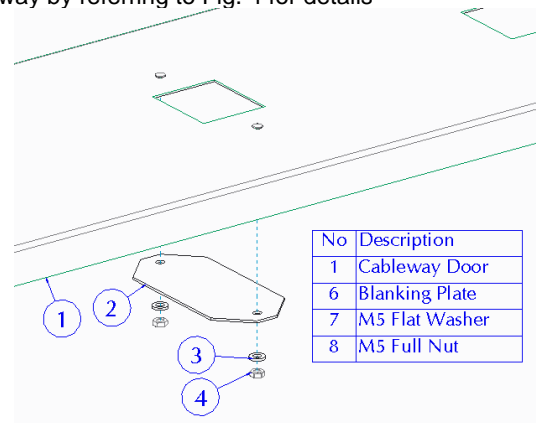


Fig. 4



Electrium Sales Limited, Walkmill Lane, Cannock, WS11 0XE
Tel: 01543 455000 Fax: 01543 455001



Waste electrical products should not be disposed of with household waste. Please recycle where waste disposal facilities exist. Check with your retailer, wholesaler or local authority for recycling advice.

Wiring Instruction

Connect the meter to the CT and MCB by referring to the wiring diagram in Fig. 5.

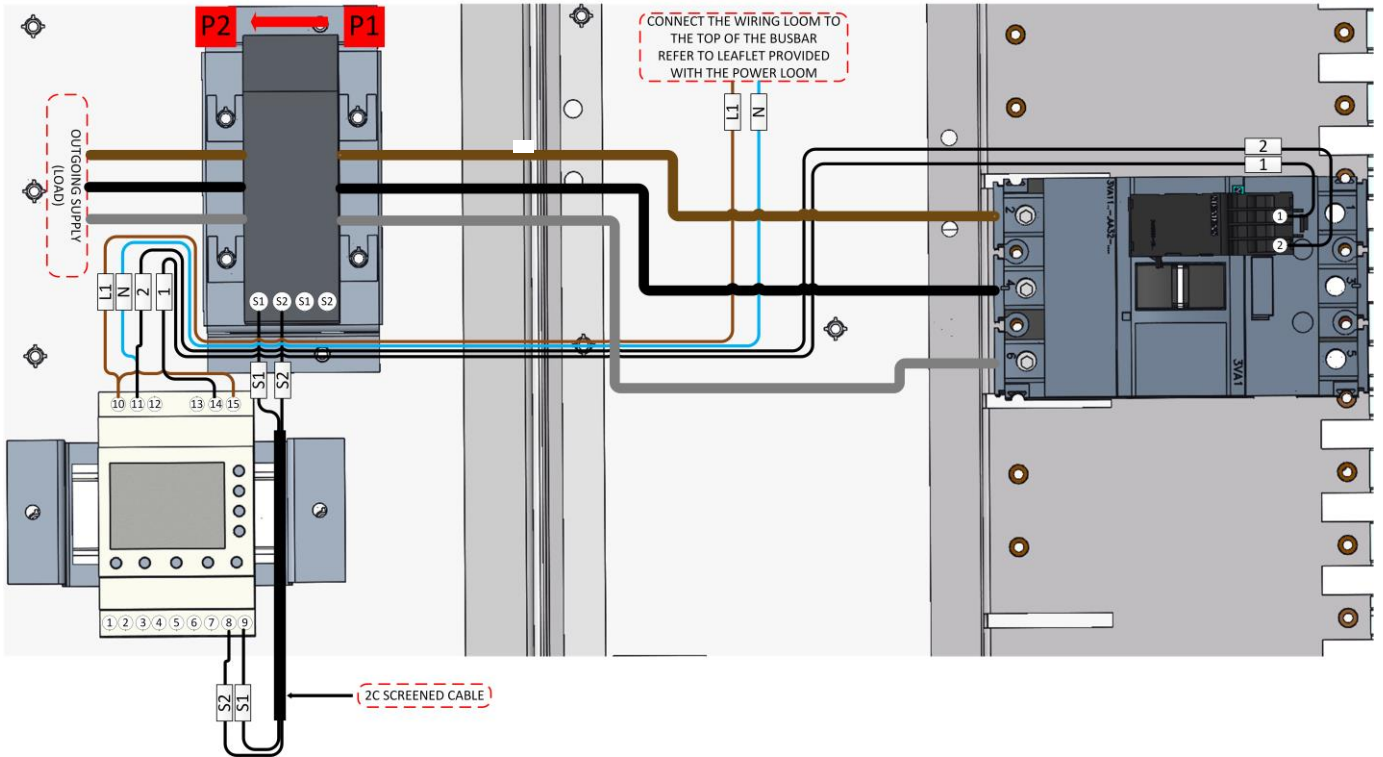


Fig. 5

If the cables are too long cut the cable to length ensuring the cable markers remain on both ends of the cable. If there is more than one meter use the voltage looms provided, refer to Fig. 6 for wiring details.

Connect the meter to the CT using wire looms provided; refer to fig. 6 for wiring details. Use pads and cable ties to secure cable. Use additional idents, din-rail and provided terminal blocks for easier installation.

Fully tighten electrical connections to the recommended torque settings in Fig. 7.

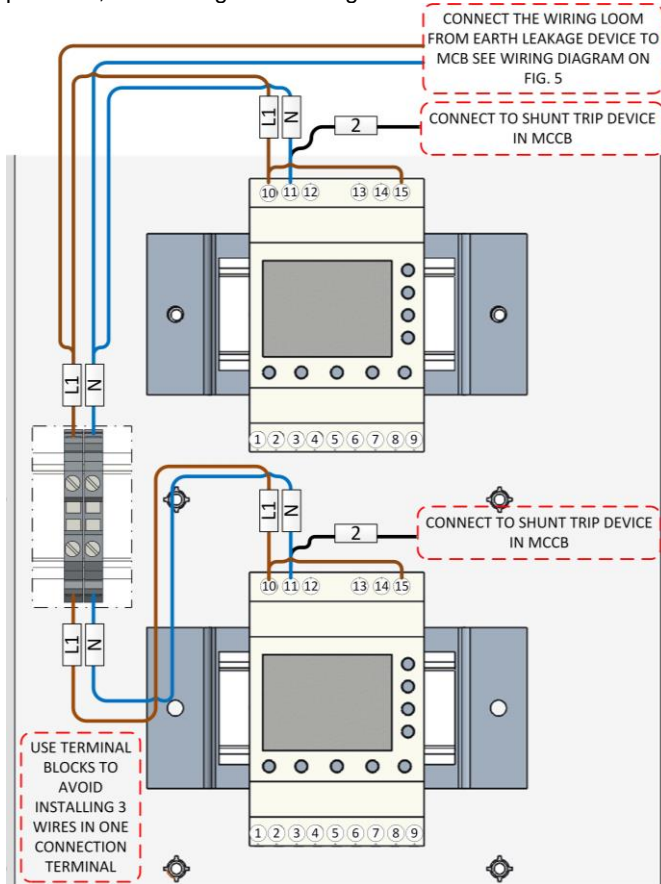


Fig. 6

Recommended Tightening Torques	
Fastener	Torque
Neutral Terminal Bar	6 Nm
Busbar End	15 Nm

Note: - See Manufacturers Leaflet for any other Recommended settings

Fig. 7

Re-fitting Instruction

Close the cable way door and use the locks to secure.

Refit the shroud to the top of the busbars/over the copper connections.

Before fitting the front cover & door to the main panel board, check the tightness of **all** connections, including factory made connections.

VOLTAGE SUPPLY LOOM SOLD SEPERATLY REFER TO CATALOGUE FOR DETAILS

