

Installation Instructions

Neutral Assembly
160A & 250A



This kit should be installed by a qualified competent person in accordance with all relevant legislation and regulations including building regulations and wiring regulations BS7671. If in doubt contact a qualified competent person.

- Turn off all power supplying this equipment before working on or inside the equipment.
- Always use a properly rated volt-sensing device to confirm the power is off.
- Replace all devices, doors and covers before turning on the power to this equipment.
- To avoid ingress of swarf and similar material, always remove gland plates to allow cutting/slotting for cable entries.

Failure to follow these instructions could result in serious injury or death.

DO NOT USE POWER TOOL SCREWDRIVERS ON ELECTRICAL CONNECTIONS

Fitting Instruction

1. Remove the door and front plate from the main panel board.
2. Remove the neutral assembly cover by using a flat head screwdriver and referring to Fig. 1.

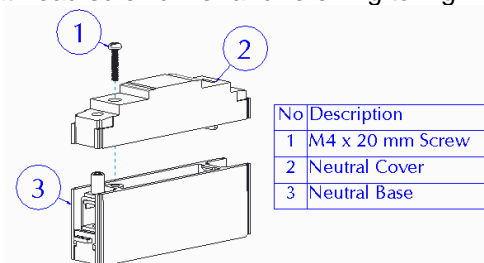


Fig. 1

3. Position the neutral assembly onto the mounting plate. Ensure the busbar cross link is fully inserted into the terminal cage.
4. Before attaching the neutral assembly to the mounting plate, ensure the central copper link is in the correct position. See Fig. 2 for details.

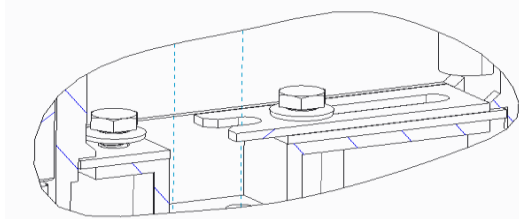


Fig. 2

5. Attach the neutral assembly to the panel mounting plate by using the screws provided. Refer to Fig. 3 for fastening and torque details.

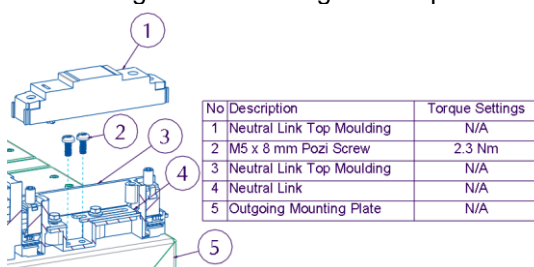


Fig. 3

6. Once the neutral is screwed down and torqued correctly move the central copper link into the position shown in Fig. 4.

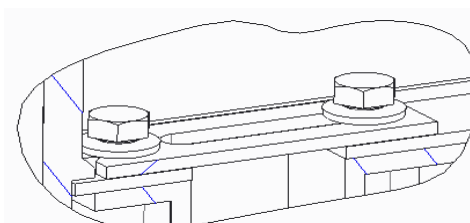


Fig. 4

7. Once the link is established, torque both bolts to the setting specified in Fig. 5.

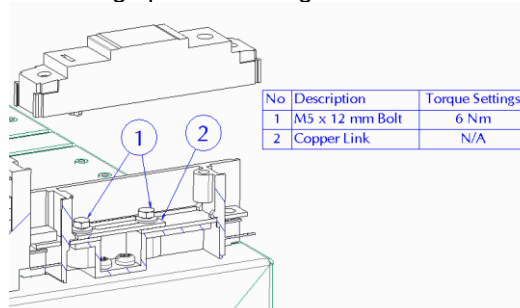


Fig. 5

8. Replace the cover by hand tightening the screw until the base is fully secured.
9. Fasten the cage to the busbar. Refer to Fig. 6 for torque setting.

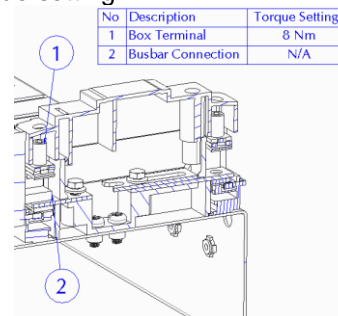


Fig. 6