



Installation instructions, RESIDUAL CURRENT DEVICES INCOMING CONNECTIONS TOP OR BOTTOM



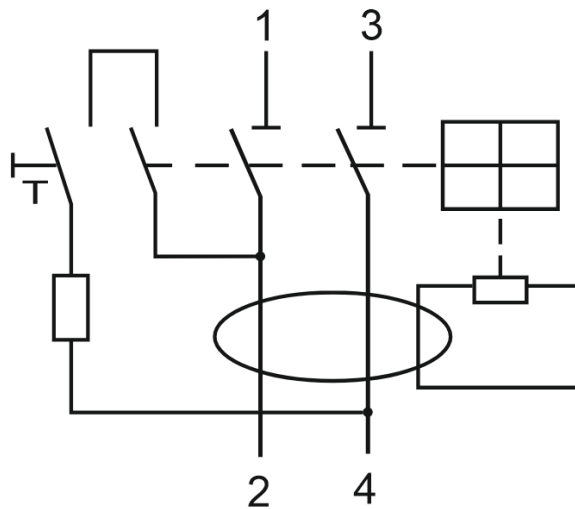
IMPORTANT INFORMATION

This unit should be installed by a qualified competent person in accordance with all relevant legislation and regulations including building regulations and wiring regulations BS 7671. If in doubt contact a qualified competent person.

- Turn off all power supplying this equipment before working on or inside the equipment.
- Always use a properly rated volt-sensing device to confirm the power is off.
- Replace all devices, doors and covers before turning on the power to this equipment.

Failure to follow these instructions could result in serious injury or death.

DO NOT USE POWER TOOL SCREWDRIVERS ON ELECTRICAL CONNECTIONS



Mounting Instructions

- 1 This RCD is intended for installation within an enclosure in an ambient temperature between - 5 °C and 40 °C with an average value not exceeding 35 °C over a 24 hour period. It should not be installed at an altitude greater than 2000 m above sea level, nor in an atmosphere subject to excessive pollution by smoke, dust, chemical fumes, salt laden spray, prolonged periods of high humidity or other abnormal conditions. See current product catalogues for a wide range of suitable enclosures.
- 2 As it is recommended that the consumer test the correct functioning of the RCD at regular intervals, it should be mounted in an accessible position.

- 3 The operation of the RCD is independent of its position of mounting and so if space does not permit it to be mounted vertically as intended, it can equally well be mounted horizontally and will function as effectively.

Connecting Instructions

- 4 The incoming cables to the RCD may be taken either to the top or bottom set of terminals, dependent entirely on the ease of wiring the device. Terminal connections should be tightened to a torque of 2.3 Nm DO NOT connect using power driven screwdrivers
- 5 As the RCD works on the current balance principle, all cables feeding the protected installation (live and neutral) must be connected to the device. If this is not complied with, continuous nuisance tripping of the breaker will result when power is drawn from the supply.



Electrium Sales Limited, Walkmill Lane, Cannock, WS11 0XE
Tel: 01543 455000 Fax: 01543 455001

B3077-10



Waste electrical products should not be disposed of with household waste.
Please recycle where waste disposal facilities exist.
Check with your retailer, wholesaler or local authority for recycling advice.





Installation instructions, RESIDUAL CURRENT DEVICES INCOMING CONNECTIONS TOP OR BOTTOM



- 6 After installation, it is recommended that the insulation resistance of all the protected conductors (live and neutral) is measured with respect to earth, using a 500 V insulation tester. To do this it is necessary to connect one lead of the tester to the consumer's earthing terminal and the other lead to each of the outgoing terminals in turn, with the RCD in the OFF position. The insulation resistance measured must be at least the value prescribed in the current edition of the IET Wiring Regulations (BS 7671).
- 7 Where compliance with the disconnection times of the current edition of the IET Wiring Regulations (BS7671) is afforded by the RCD, the measured value of the earth fault loop impedance in ohms must be such that the product of this value and the rated residual operating current of the RCD in Amps, does not exceed 50.
e.g. The maximum permissible earth loop impedance for an RCD of 100 mA sensitivity is 500 ohms since $500 \times 0.1 = 50$.
- 8 Where a circuit originates within the zone created by the main equipotential bonding of the installation, and that circuit is intended to supply equipment used outside the zone by means of a socket outlet rated at 32 A or less, the current edition of the IET Wiring Regulations require that protection shall be afforded by an RCD having a rated residual current not exceeding 30 mA. The Regulations also require that every socket outlet in a household or similar installation forming part of a TT system shall be similarly protected. Special provisions are also made in the Regulations for the protection of site installations serving mobile (touring) caravans.

Testing the RCD

- 9 The consumer should be advised that a TEST BUTTON is incorporated in the RCD situated adjacent to the ON/OFF switch.

Having installed the unit and switched on the RCD, press the test button in order to test the correct functioning of the device. This ONLY tests the operation of the RCD and not the continuity or value of the earth resistance path, which must be done as recommended in 8 above.

A further test should then be carried out as prescribed in the current edition of the IET Wiring Regulations to check the operation of the RCD under fault conditions.

Should the RCD fail to trip on testing, check that there is an electrical supply available. If confirmed, return the unit to the supplier.

Earth continuity check on metalclad units

- 10 After the installation of a Metalclad unit and having securely tightened the lid fixing screws, it is necessary to check the earth continuity between the BOX and LID in accordance with the current edition of the IET Wiring Regulations for Electrical Installations (BS 7671).

Note: If the seal protecting the cover fixing screw of the RCD is broken, the guarantee is Immediately invalidated

Short Circuit Protective Device	RCCB Rating	with a maximum outgoing device rating of:
RCCBs have been tested in a consumer unit in accordance with BS EN 61439-3 Annex ZB utilising a BS88-3 Type II 100 A fuse	40 A	32 A Type C MCB or RCBO
	63 A	50 A Type C MCB or RCBO
	80 A	63 A Type C MCB or 50 A RCBO
	100 A	63 A Type C MCB or 50 A RCBO

